



Exedra - Exedra Euro 32
SALICE

Pocket door system with cam-assisted door extraction and cushioned door insertion.

Doors characteristics

Max. weight for each door : 30 kg (distributed evenly).

Thickness from 18 mm to 30 mm.

Width from 400 mm to 900 mm.

Height from 1333 mm to 1575 mm (consult our technical support department for the verification).

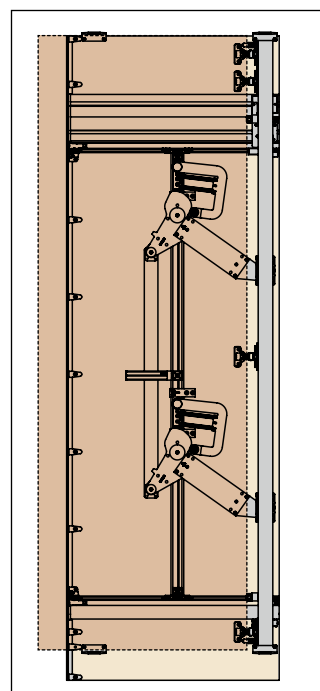
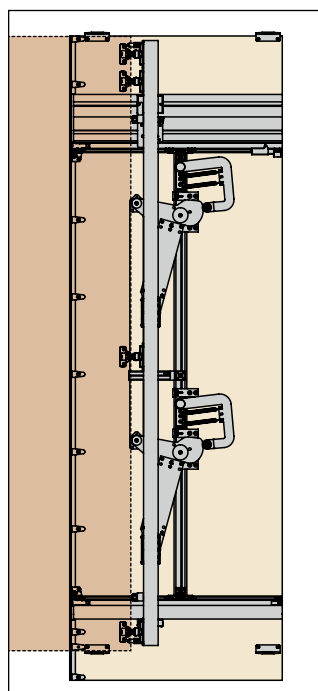
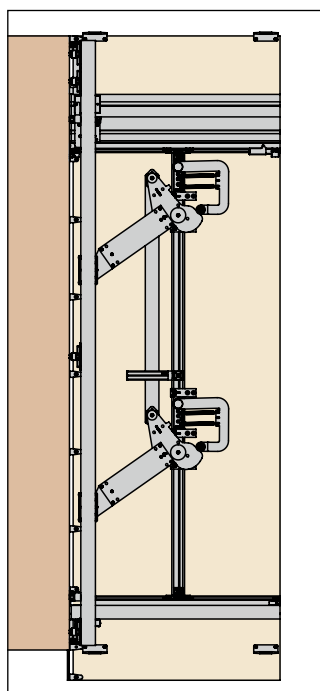
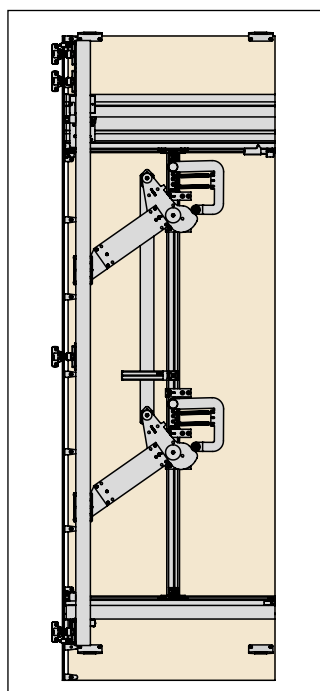
Height from 1576 mm to 2530 mm.

Door adjustment:

- vertical adjustment $+4/-1$ mm;
- horizontal adjustment ± 2 mm;
- front adjustment ± 4 mm.

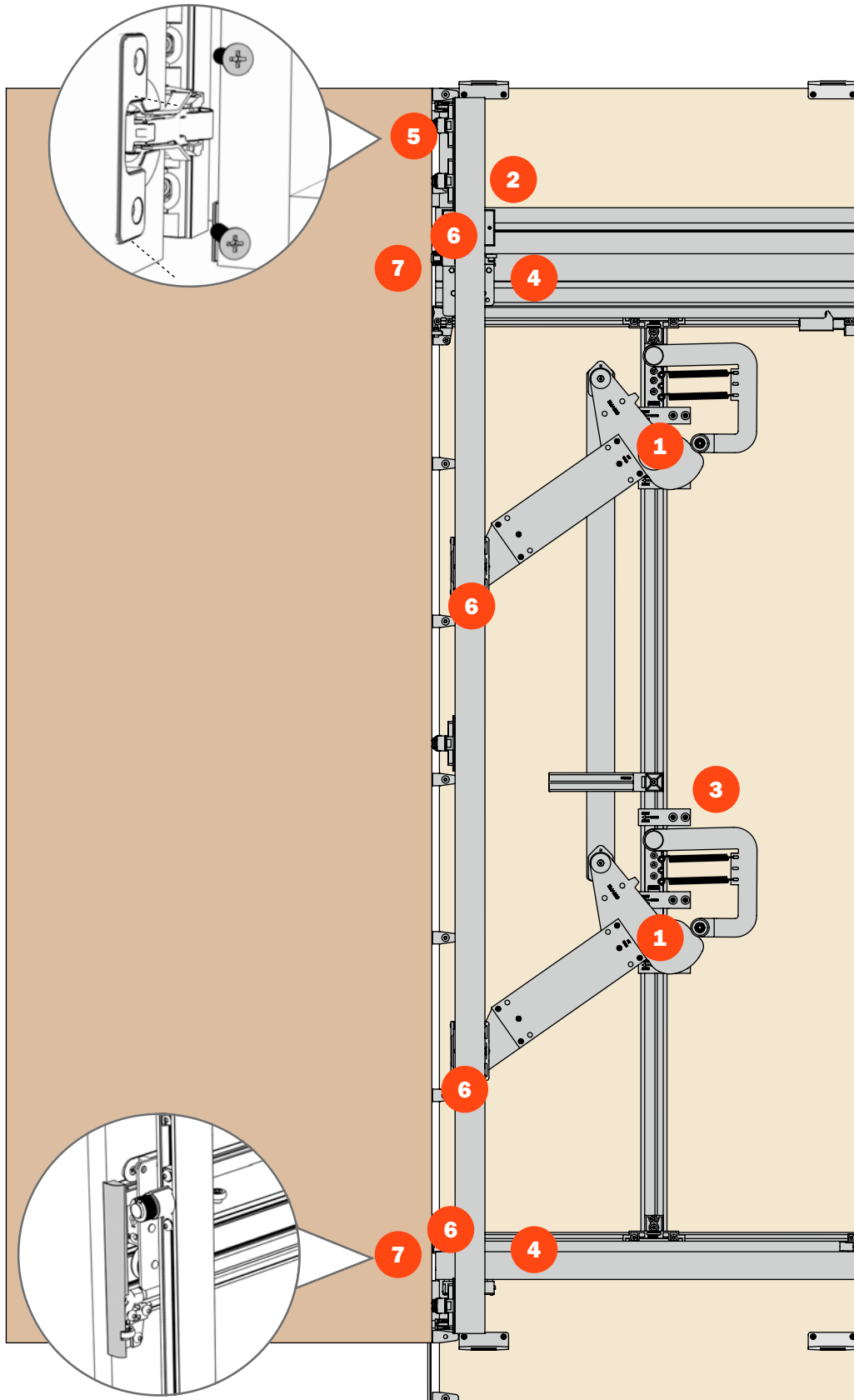


Mechanism movement as the door leaves the recess.



- 1** Cam-assisted door insertion and extraction movement.
- 2** Magnetic buffer for soft insertion.
- 3** Slide-in installation to facilitate installation and removal of the mechanism from the front.
- 4** Sliding carriage.

- 5** Quick coupling hinges.
- 6** All adjustments are accessible from the front of the cabinet.
- 7** Profile cover caps (included in the standard versions).



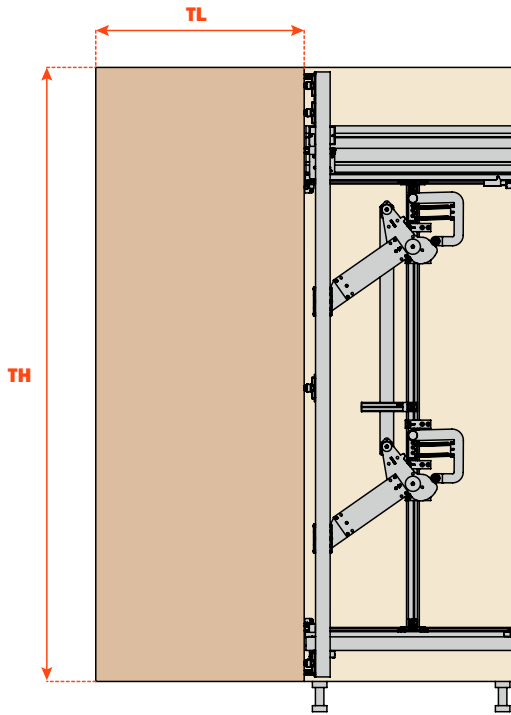
Exedra - Calculation for door protrusion from front of cabinet

Abbreviations

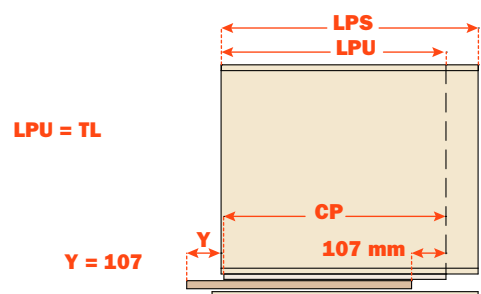
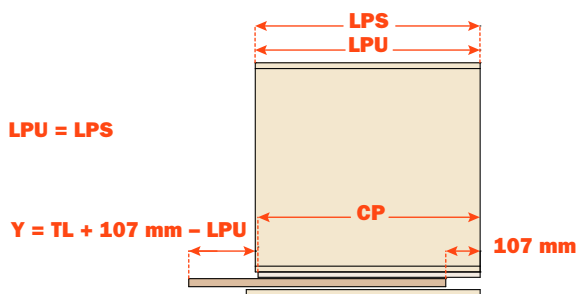
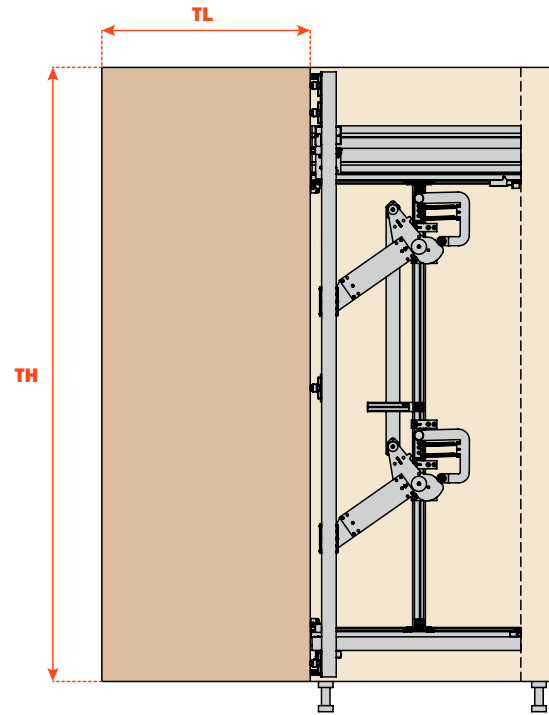
LPS Total external depth of the cabinet
LPU Usable external depth of the cabinet
TL Door width

TH Door height
CP Profile length
Y Door protrusion

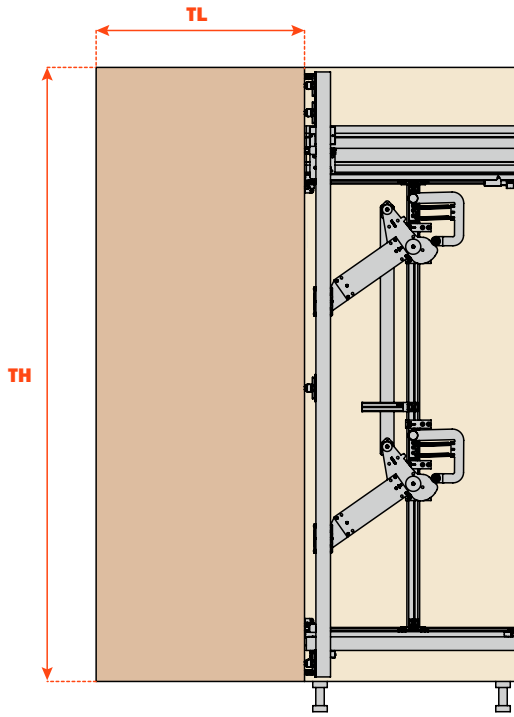
LPS < TL



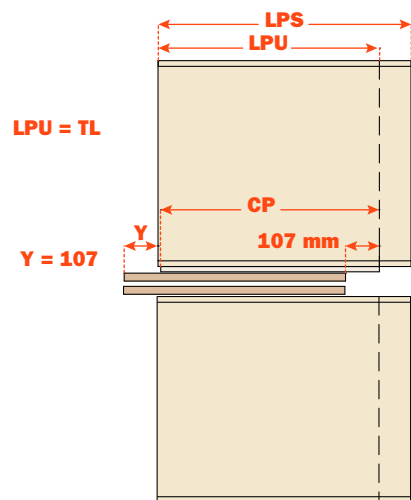
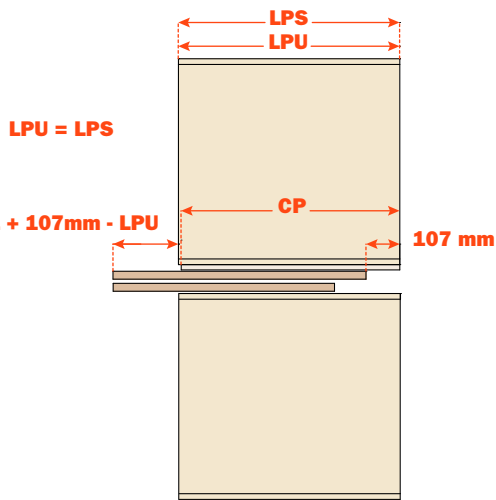
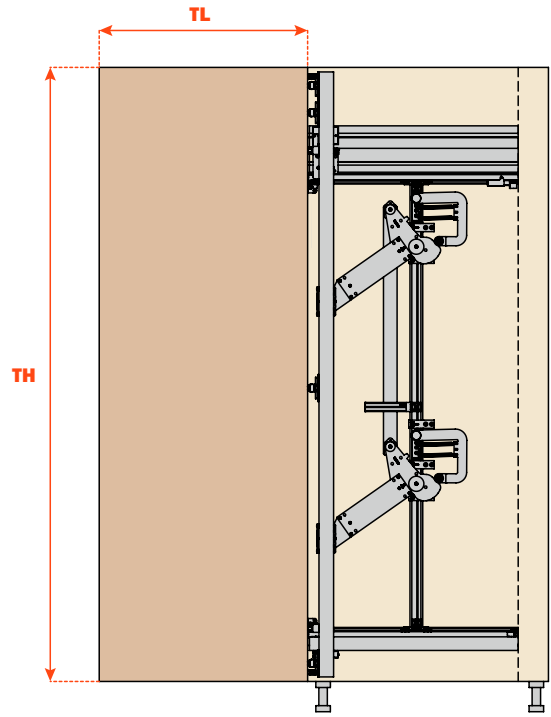
LPS ≥ TL

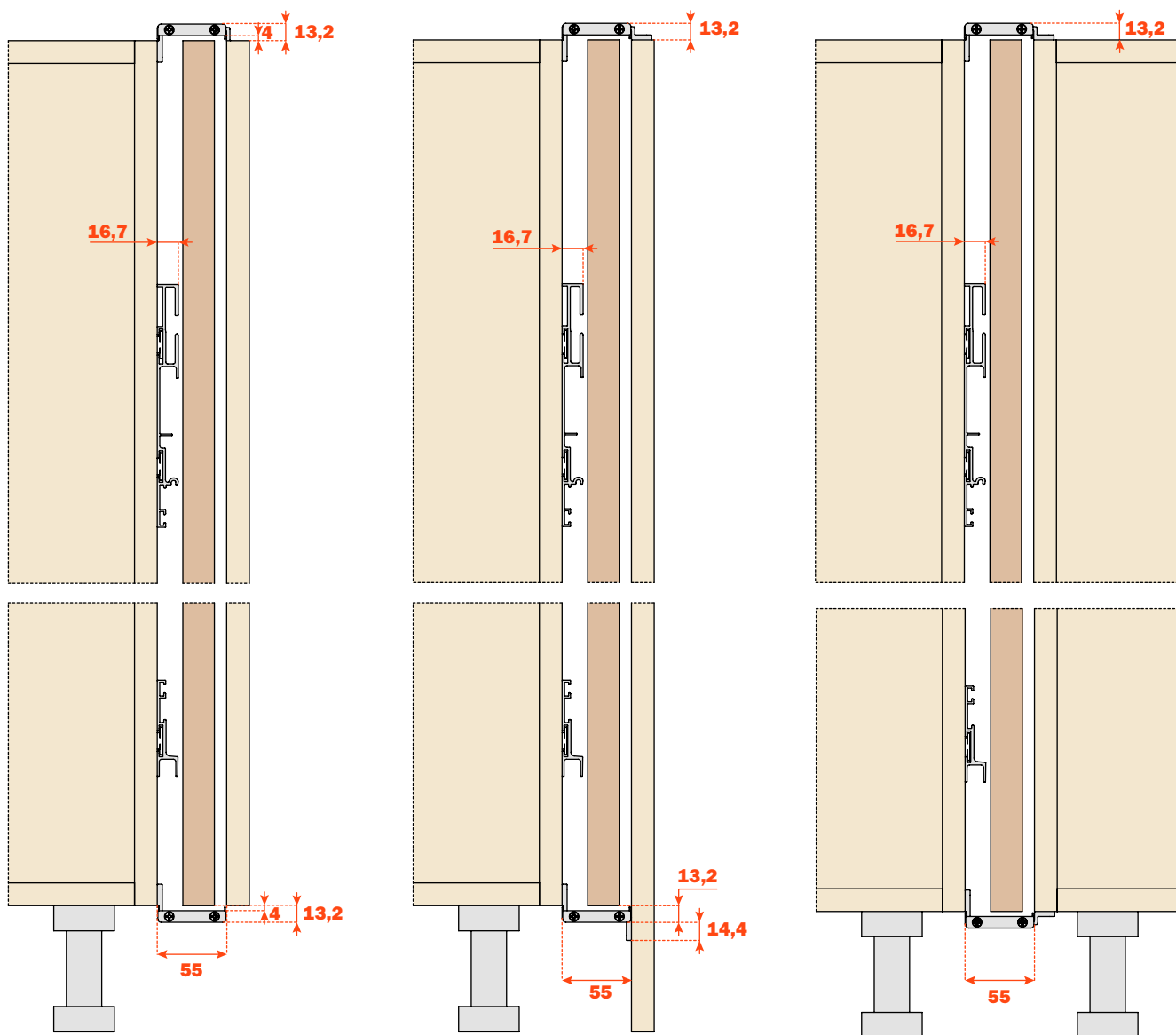


LPS < TL

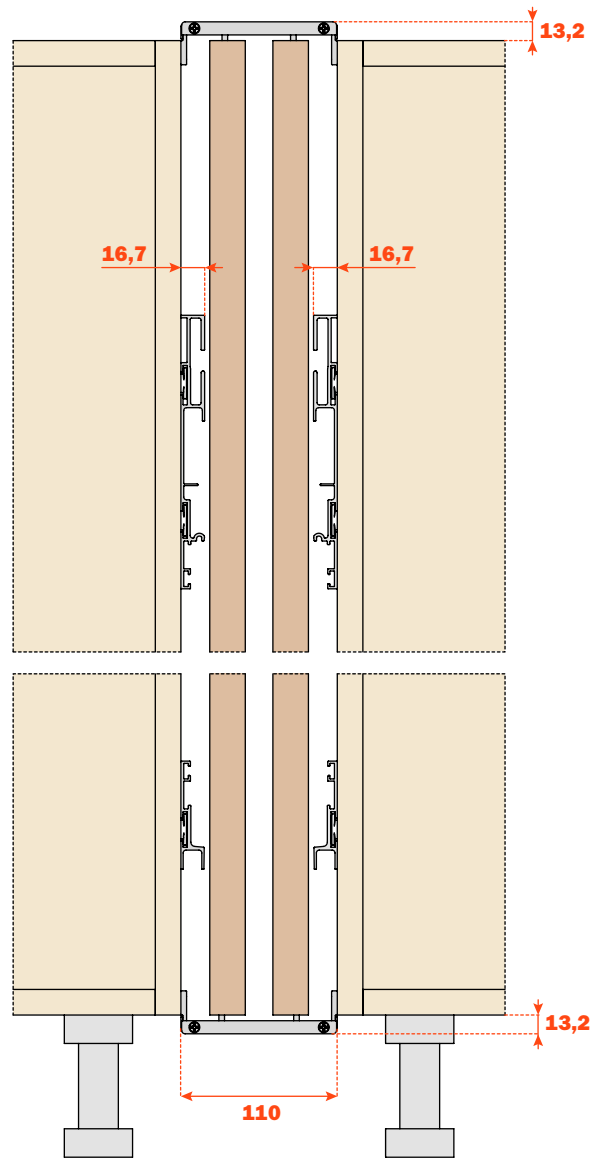
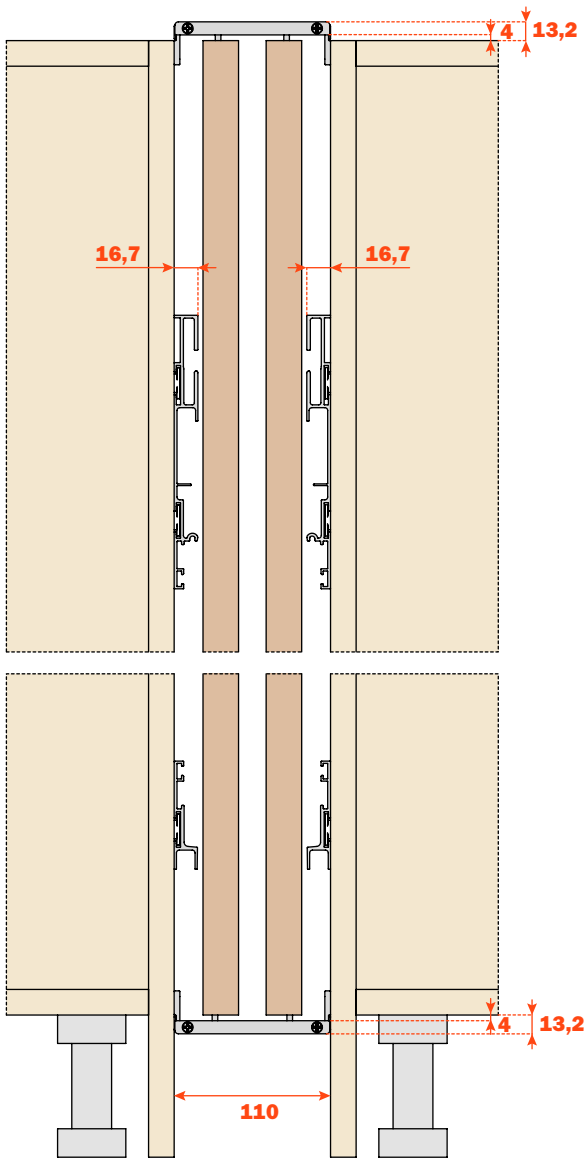


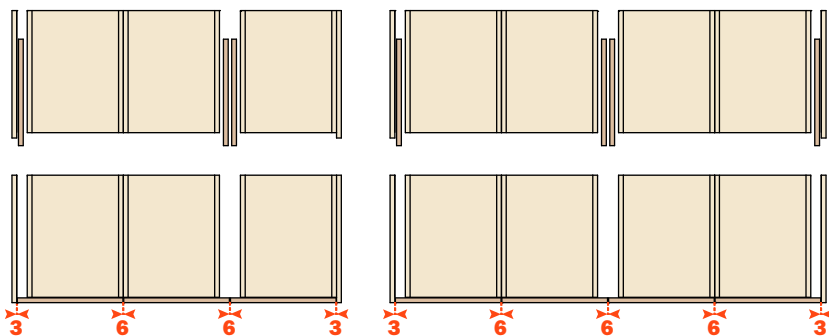
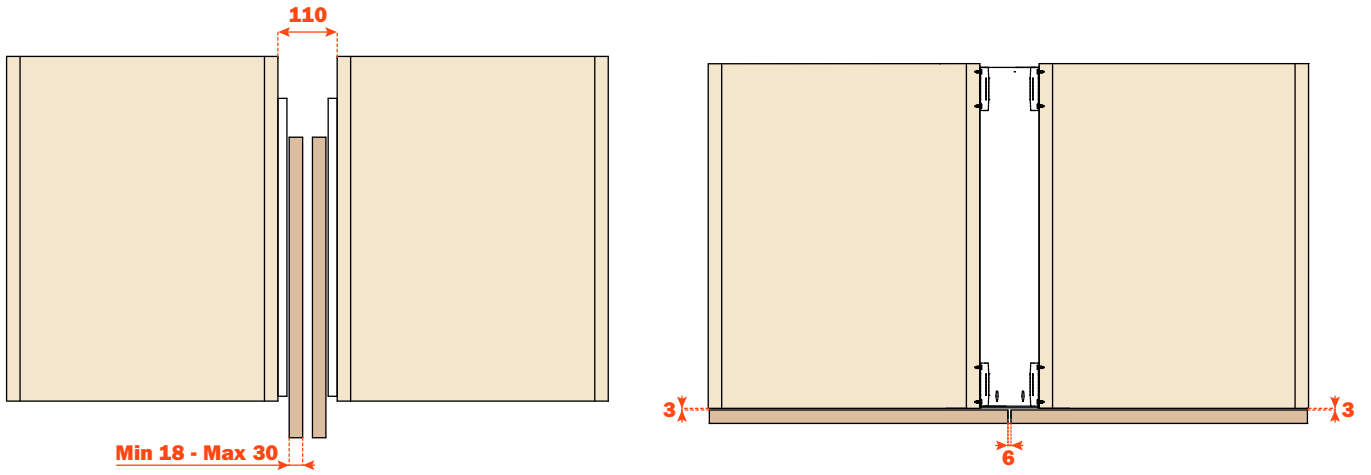
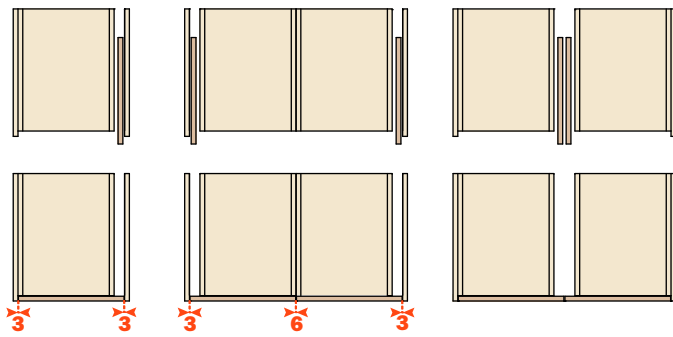
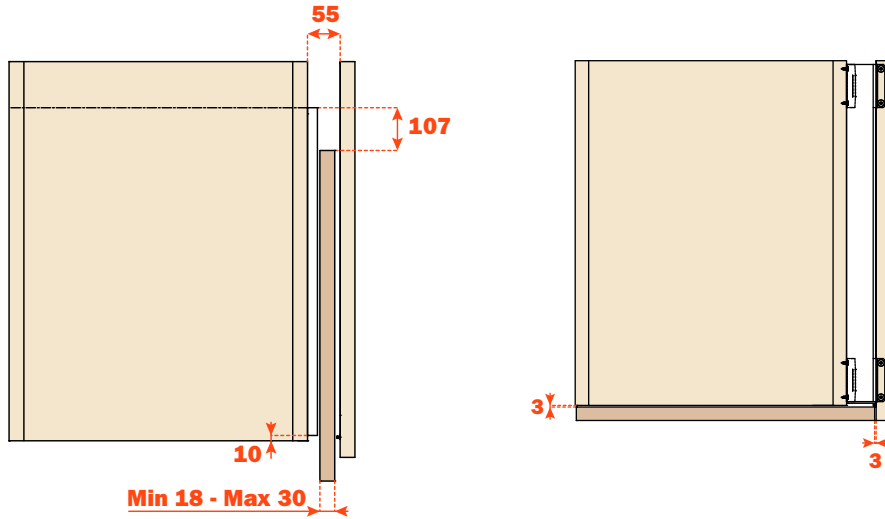
LPS ≥ TL





Types of assembly - 2 doors



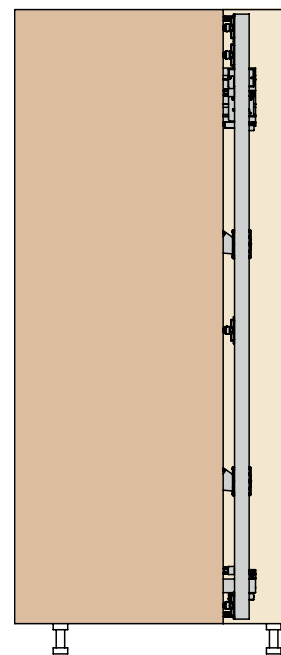
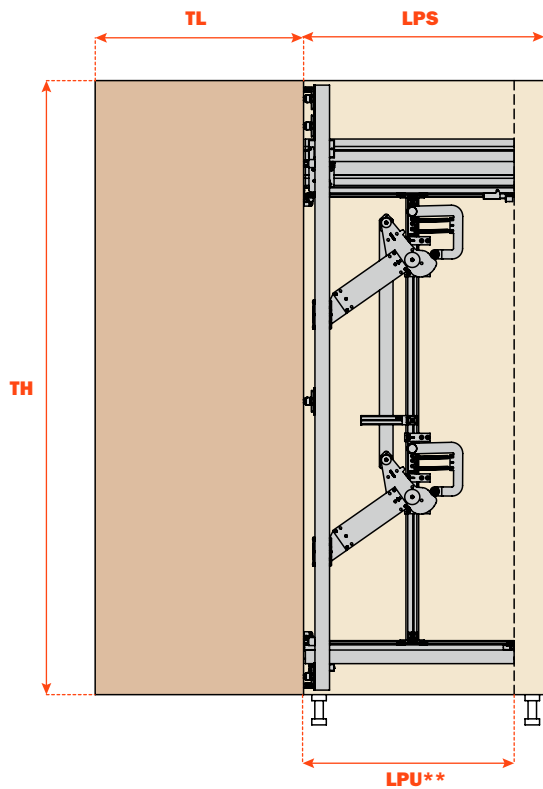


Calculating the LPU value - Selecting the CAM connectors

LPS (Cabinet depth) ≥ TL



LPU (Usable cabinet depth) = TL



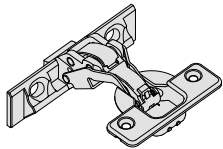
		LPU** (mm)									
		400-500		501-600		601-700		701-800		801-900	
CAM		VE55KIT0101		VE55KIT0102		VE55KIT0103		VE55KIT0104		VE55KIT0105	
TH (mm)	Min	1576	1726	1698	1787	1820	1909				
	Max	2127	2121	1788	2182	1910	2243	2032	2304	2154	2365
		2122	2530	2183	2530	2244	2530	2305	2530	2366	2530

- 3 x max 18 kg
- 4 x max 24 kg
- 5 x max 30 kg

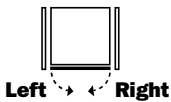
This solution offers a great deal of flexibility to the customer. The customer cuts the profile sections to their desired length and fixes together its individual components. A cam-carriage connection must be ordered together with the mechanism kit according to the usable structure depth (LPU) and the door height (TH). Refer to the installation manual for the cutting and assembly operations.

The locating clips and positioning stops ensure a fast and secure assembly and removal from the cabinet without the need to access the side of the cabinet.


Calculation of the min. structure dimensions

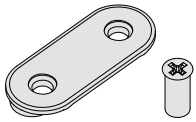
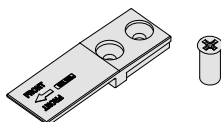
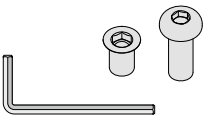
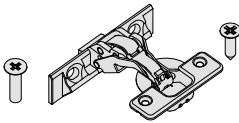
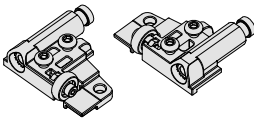

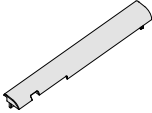
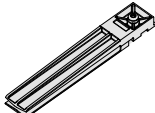
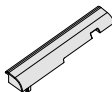
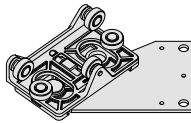
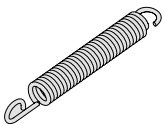
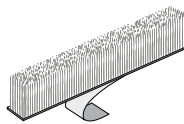
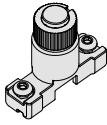
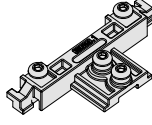
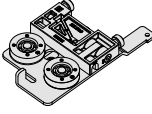
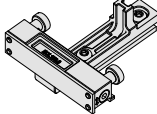
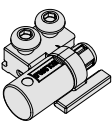
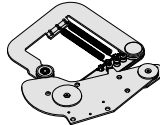
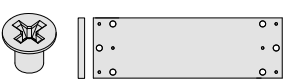
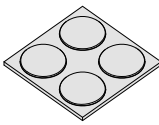
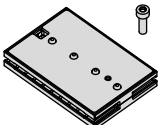
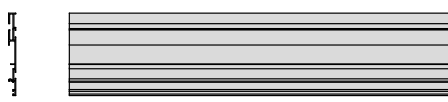
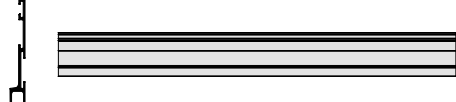

Usable structure depth (LPU - mm)													
		400 - 500		501 - 600		601 - 700		701 - 800		801 - 900			
Door height TH (mm)	Min	Max	Min	Max	Min	Max	Min	Max	Min	Max			
	1576	1726	1698	1787	1820	1909					3 x		max 18 kg
	1727	2121	1788	2182	1910	2243	2032	2304	2154	2365	4 x		max 24 kg
	2122	2530	2183	2530	2244	2530	2305	2530	2366	2530	5 x		max 30 kg

Mechanism kit - STANDARD

Part number		Door height TH (mm)
YE55BAD1900NN	Right	1576 - 1900
YE55BAS1900NN	Left	
YE55BAD2500NN	Right	1576 - 2530
YE55BAS2500NN	Left	

Cam-carriage connection

	Part number	Usable structure depth (LPU - mm)
	YE55KIT0101	400-500
	YE55KIT0102	501-600
	YE55KIT0103	601-700
	YE55KIT0104	701-800
	YE55KIT0105	801-900

	n° 9 Locating clips n° 18 Euroscrews 6.3 x 14		n° 5 Positioning stops n° 10 Screws 6.3 x 14
	n° 2 Threaded inserts M6 x 13 n° 2 Screws M6 20 UNI 7380 n° 1 Allen key		n° 4/5 Hinges for the fixing of the door n° 4/5 Flange covers n° 8/10 Screws for the fixing of the hinges to the system M5 x 20 UNI 7688 n° 8/10 Screws for the fixing of the hinges to the door 4 x 16 DIN 7505 A
	n° 1 + n° 1 Door extraction dampers		n° 4/5 Mounting plates
	n° 1 Upper front cover		n° 1 Mechanism connecting support profile
	n° 1 Lower front cover		n° 2 Vertical carriages
	n° 2 Spare springs		2.5 mt Dust protection brush
	n° 2 Door positioning supports		n° 2 Central profile connectors
	n° 1 Upper horizontal carriage		n° 1 Lower horizontal carriage
	n° 1 Door insertion stopper		n° 2 Door extraction and insertion mechanisms
	n° 12 fixing screws for connection plates (screws M4 x UNI) n° 2 Cam connection plates		n° 1 Spacers
	n° 1 Magnetic buffer for soft insertion	n° 1 Central profile	
	n° 1 Upper track	n° 1 Mechanism profile connecting	
	n° 1 Lower track	n° 1 Rear bumper	
	n° 1 Door fixing profile		

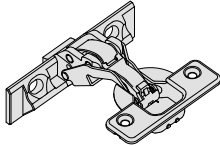
Exedra - Partially assembled

Partially-assembled systems.

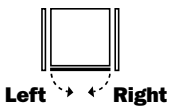
The partly-assembled Exedra system can be supplied in two versions: for doors with height from 1930 to 2230 mm or from 2231 to 2530 mm. Depth between 500 and 700 mm. After the identification of the version, the customer must cut to size the upper and the lower tracks, assemble the cams and install everything on the cabinet.

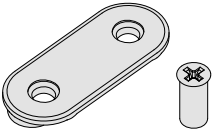
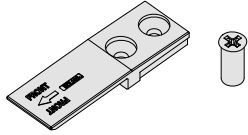
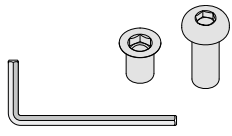
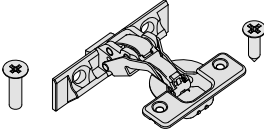
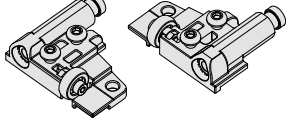
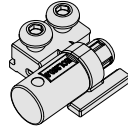
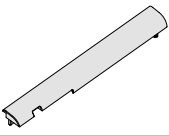
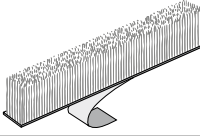
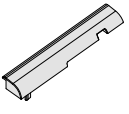
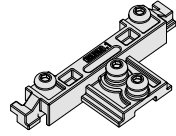
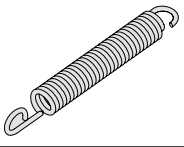
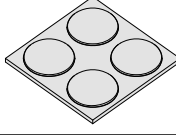


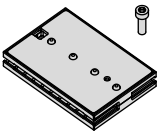
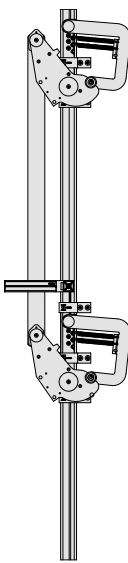



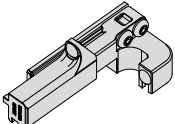
The locating clips and positioning stops ensure a fast and secure assembly and removal from the cabinet without the need to access the side of the cabinet.

Calculation of the min. structure dimensions

Usable structure depth (LPU - mm)									
		501 - 600		601 - 700					
Door height TH (mm)	Min	Max	Min	Max					
	1930	2230	1930	2230	4 x		max 24 kg		
	2231	2530	2231	2530	5 x		max 30 kg		

Mechanism kit – STANDARD PARTIALLY ASSEMBLED

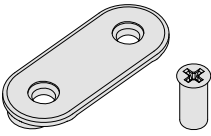
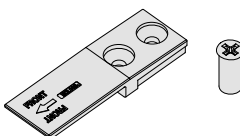
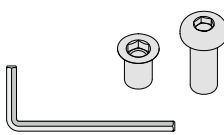
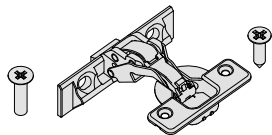
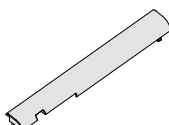
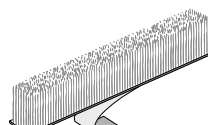
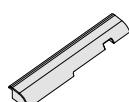
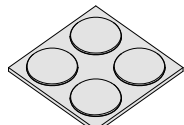
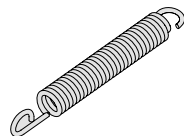
Part number		Usable structure depth (LPU - mm)	Door height TH (mm)
YE55BMD2200NN	Right	500 - 700	1930 - 2230
YE55BMS2200NN	Left		
YE55BMD2500NN	Right	500 - 700	2231 - 2530
YE55BMS2500NN	Left		

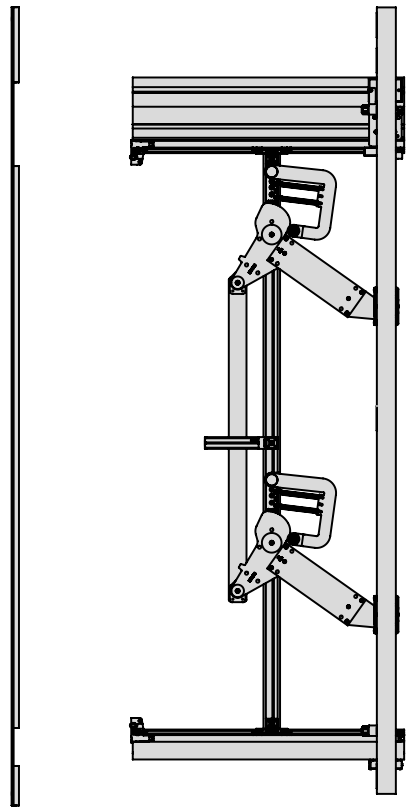
	n° 9 Locating clips n° 18 Euroscrews 6.3 x 14		n° 5 Positioning stops n° 10 Screws 6.3 x 14
	n° 2 Threaded inserts M6 x 13 n° 2 Screws M6 20 UNI 7380 n° 1 Allen key		n° 4/5 Hinges for the fixing of the door n° 4/5 Flange covers n° 8/10 Screws for the fixing of the hinges to the system M5 x 20 UNI 7688 n° 8/10 Screws for the fixing of the hinges to the door 4 x 16 DIN 7505 A
	n° 1 + n° 1 Door extraction dampers		n° 1 Door insertion stopper
	n° 1 Upper front cover		2.5 mt Dust protection brush
	n° 1 Lower front cover		n° 2 Central profile connectors
	n° 2 Spare springs		N° 1 Spacers
	n° 12 Fixing screws for connection plates (screws M4 x UNI)		n° 2 Cam connection plates
	n° 1 Magnetic buffer for soft insertion		
	n° 1 Upper track		
	n° 1 Lower track		
	n° 1 Rear bumper		

Fully assembled solution according to customer requirements.

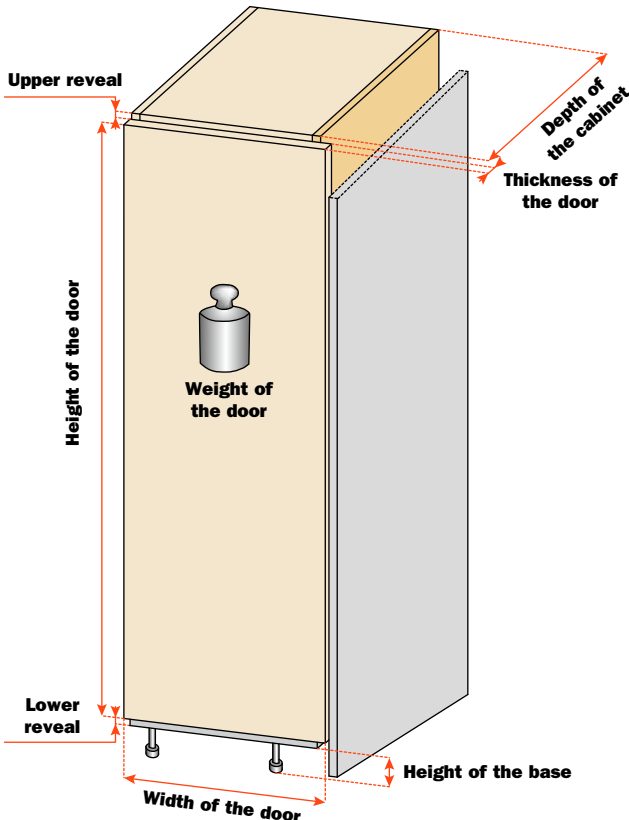
The Exedra system is produced according to the dimensional specifications provided by the customer. The customer only has to assemble the system on the cabinet with the provided drilling patterns.

The locating clips and positioning stops ensure a fast and secure assembly and removal from the cabinet without the need to access the side of the cabinet.

	<p>n° 9 Locating clips n° 18 Euroscrews 6.3 x 14</p>		<p>n° 5 Positioning stops n° 10 Screws 6.3 x 14</p>
	<p>n° 2 Threaded inserts M6 x 13 n° 2 Screws M6 20 UNI 7380 n° 1 Allen key</p>		<p>n° 4/5 Hinges for the fixing of the door n° 4/5 Flange covers n° 8/10 Screws for the fixing of the hinges to the system M5 x 20 UNI 7688 n° 8/10 Screws for the fixing of the hinges to the door 4 x 16 DIN 7505 A</p>
	n° 1 Upper front cover		2.5 mt Dust protection brush
	n° 1 Lower front cover		n° 1 Spacers
	n° 2 Spare springs		



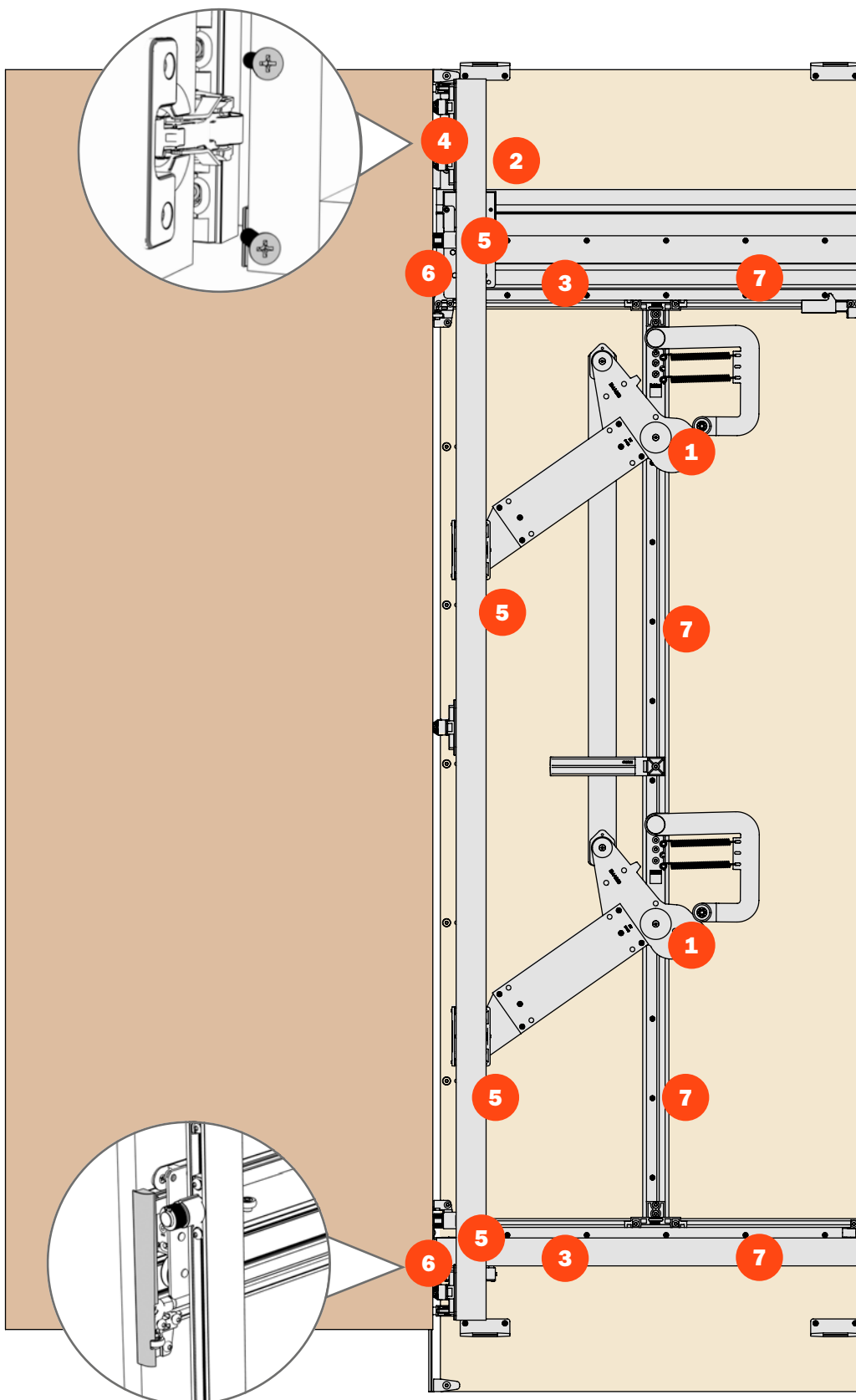
Information required to order a made-to-measure Exedra mechanism.



Exedra Euro 32

Exedra Euro 32

- 1 Cam-assisted door insertion and extraction movement.
- 2 Magnetic buffer for soft insertion.
- 3 Sliding carriage.
- 4 Quick coupling hinges.
- 5 All adjustments are accessible from the front of the cabinet.
- 6 Profile cover caps (included in the standard versions).
- 7 Option for direct fixing to the cabinet by euroscrew (only with System 32 version).



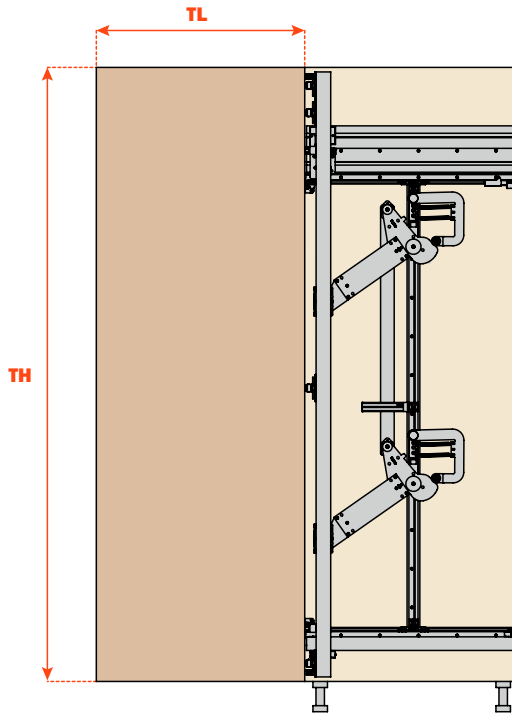
Exedra Euro 32 - Calculation for door protrusion from front of cabinet

Abbreviations

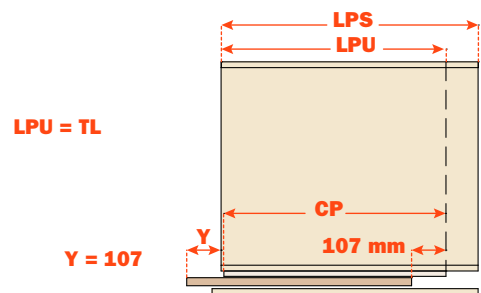
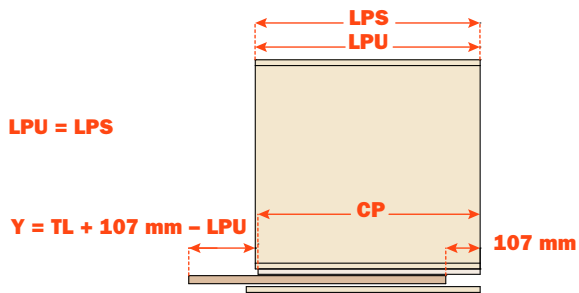
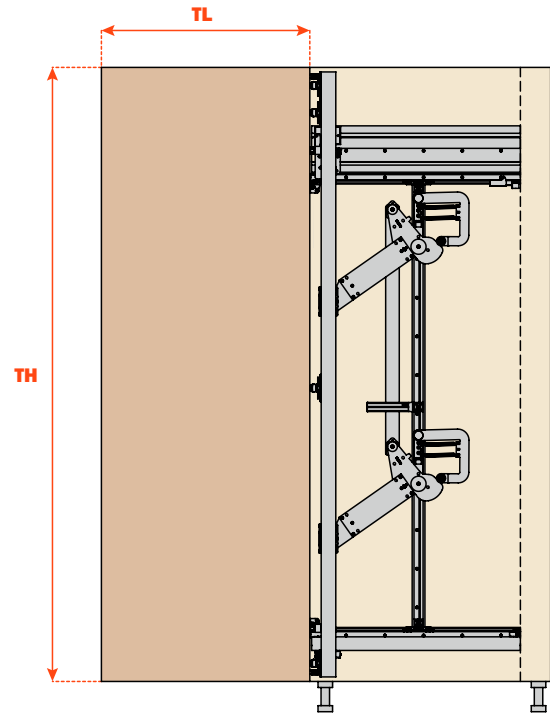
LPS Total external depth of the cabinet
LPU Usable external depth of the cabinet
TL Door width

TH Door height
LP Profile length
Y Door protrusion

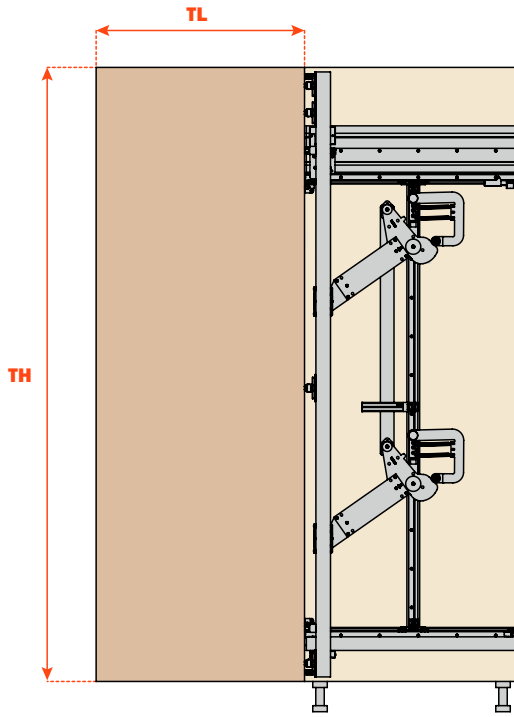
LPS < TL



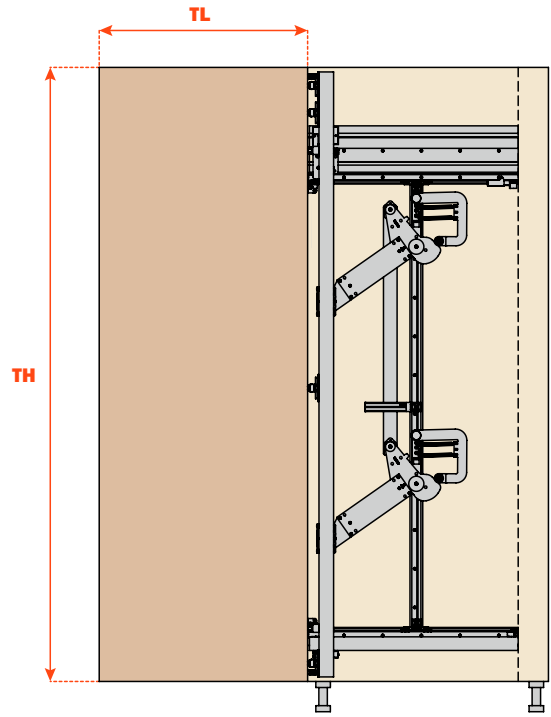
LPS ≥ TL



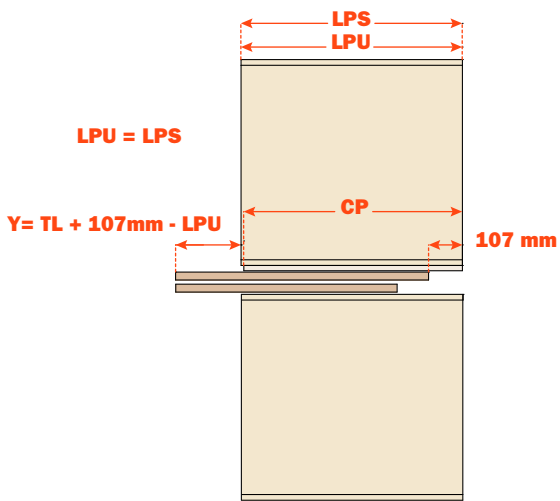
LPS < TL



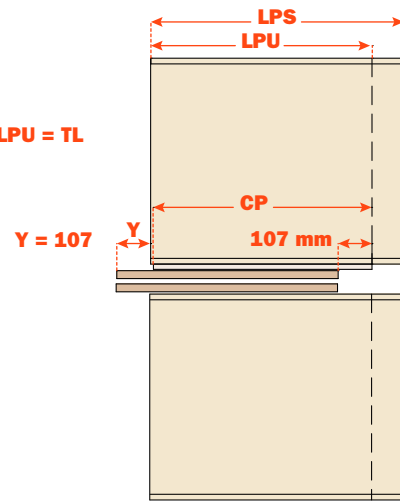
LPS ≥ TL



LPU = LPS



LPU = TL

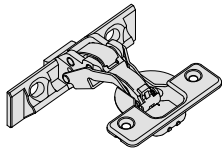


Exedra Euro 32 - Standard

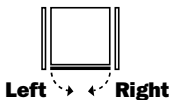
This solution offers a great deal of flexibility to the customer. The customer cuts the profile sections to their desired length and fixes together its individual components. A cam-carriage connection must be ordered together with the mechanism kit according to the usable structure depth (LPU) and the door height (TH). Refer to the installation manual for the cutting and assembly operations.

The Euro 32 version enables the mechanism to be screwed directly to the cabinet side through pre-drilled holes in the horizontal sections. Installation and removal require full access to the side of the cabinet.


Calculation of the min. structure dimensions


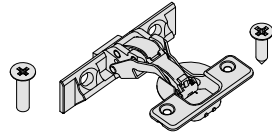
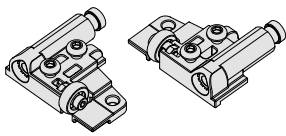
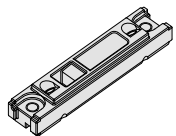
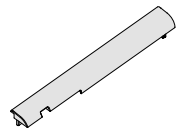
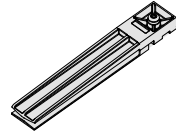
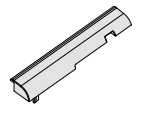
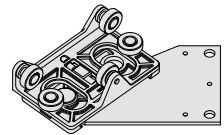
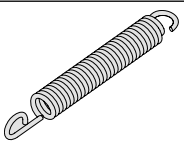
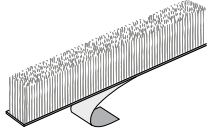
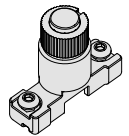
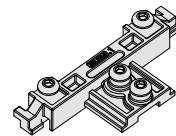
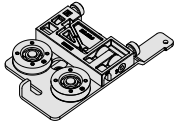
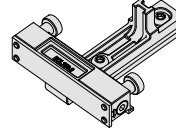
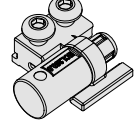
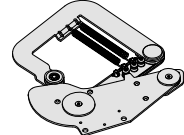

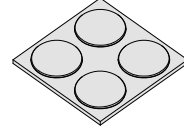
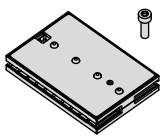

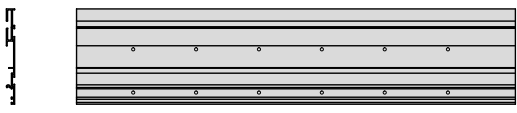

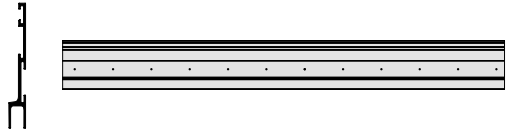
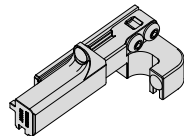

Usable structure depth (LPU - mm)													
		400 - 500		501 - 600		601 - 700		701 - 800		801 - 900			
Door height TH (mm)	Min	Max	Min	Max	Min	Max	Min	Max	Min	Max			
	1576	1726	1698	1787	1820	1909					3 x		max 18 kg
	1727	2121	1788	2182	1910	2243	2032	2304	2154	2365	4 x		max 24 kg
	2122	2530	2183	2530	2244	2530	2305	2530	2366	2530	5 x		max 30 kg

Mechanism kit - STANDARD

Part number		Door height TH (mm)
YE55BAD1900NNE	Right	1576 - 1930
YE55BAS1900NNE	Left	
YE55BAD2500NNE	Right	1576 - 2530
YE55BAS2500NNE	Left	

Cam-carriage connection

	Part number	Usable structure depth (LPU - mm)
	YE55KIT0101	400-500
	YE55KIT0102	501-600
	YE55KIT0103	601-700
	YE55KIT0104	701-800
	YE55KIT0105	801-900

	n° 2 Euro screws		n° 4/5 Hinges for the fixing of the door n° 4/5 Flange covers n° 8/10 Screws for the fixing of the hinges to the system M5 x 20 UNI 7688 n° 8/10 Screws for the fixing of the hinges to the door 4 x 16 DIN 7505 A
	n° 1 + n° 1 Door extraction dampers		n° 4/5 Mounting plates
	n° 1 Upper front cover		n° 1 Mechanism connecting support profile
	n° 1 Lower front cover		n° 2 Vertical carriages
	n° 2 Spare springs		2.5 mt Dust protection brush
	n° 2 Door positioning supports		n° 2 Central profile connectors
	n° 1 Upper horizontal carriage		n° 1 Lower horizontal carriage
	n° 1 Door insertion stopper		n° 2 Door extraction and insertion mechanisms
	n° 12 Fixing screws for connection plates (screws M4 x UNI) n° 2 Cam connection plates		n° 1 Spacers
	n° 1 Magnetic buffer for soft insertion		n° 1 Central profile
	n° 1 Upper track		n° 1 Mechanism profile connecting
	n° 1 Lower track		n° 1 Rear bumper
	n° 1 Door fixing profile		

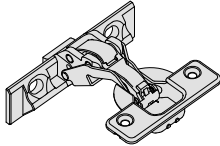
Exedra Euro 32 - Partially assembled

Partially-assembled systems.

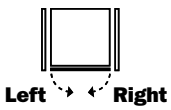
The partly-assembled Exedra system can be supplied in two versions: for doors with height from 1930 to 2230 mm or from 2231 to 2530 mm. Depth between 500 and 700 mm. After the identification of the version, the customer must cut to size the upper and the lower tracks, assemble the cams and install everything on the cabinet.


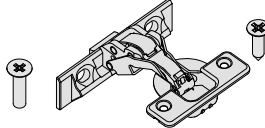
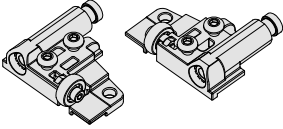
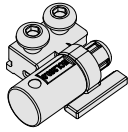
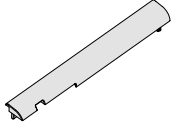
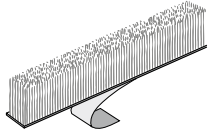
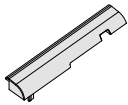
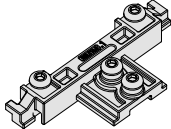
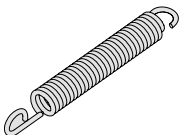
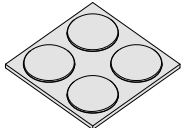

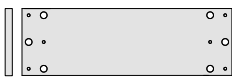

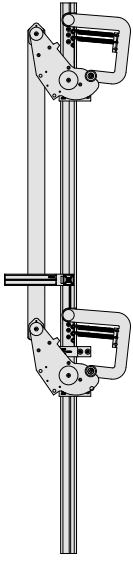

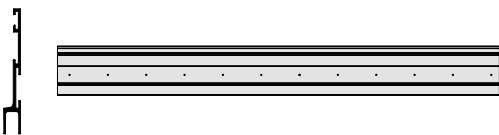
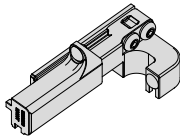
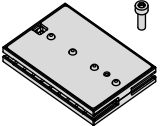
The Euro 32 version enables the mechanism to be screwed directly to the cabinet side through pre-drilled holes in the horizontal sections. Installation and removal require full access to the side of the cabinet.

Calculation of the min. structure dimensions

Usable structure depth (LPU - mm)									
		501 - 600		601 - 700					
Door height TH (mm)	Min	Max	Min	Max					
	1930	2230	1930	2230	4 x		max 24 kg		
	2231	2530	2231	2530	5 x		max 30 kg		

Mechanism kit – STANDARD PARTIALLY ASSEMBLED

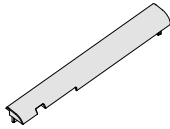
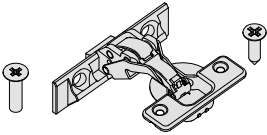
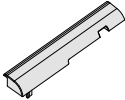
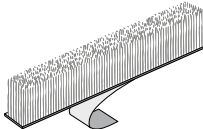
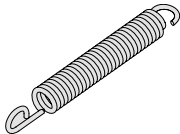
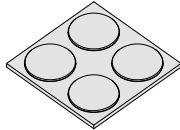
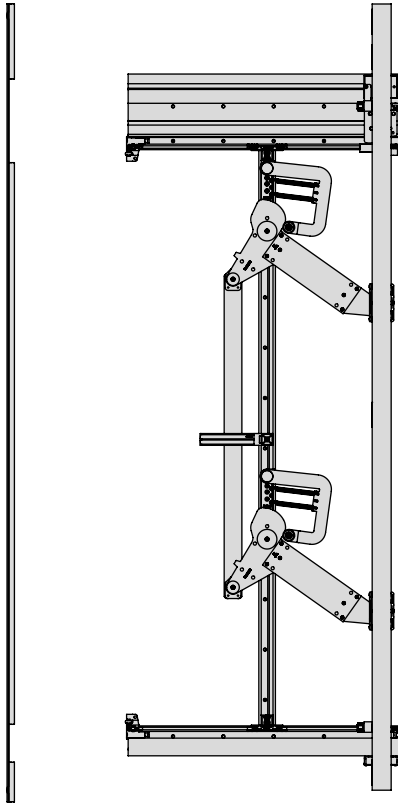
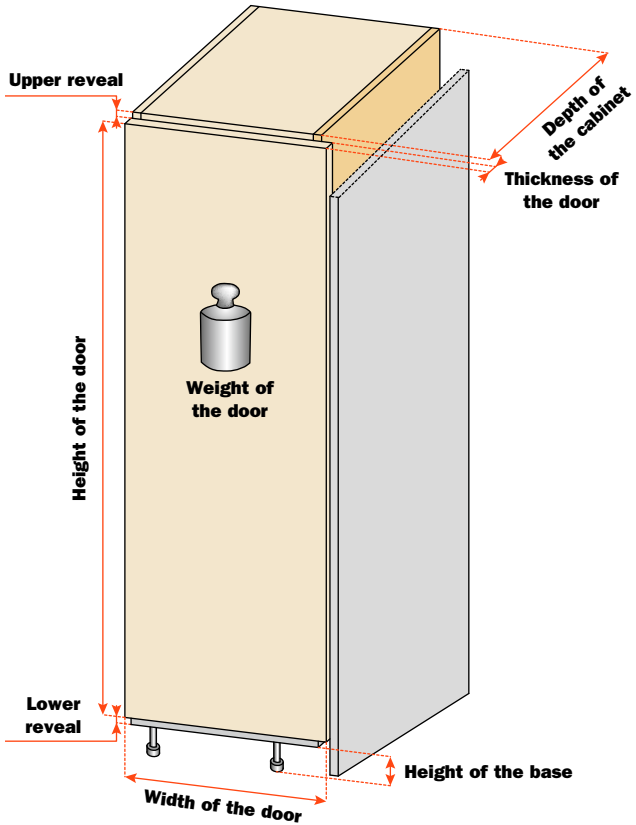
Part number		Usable structure depth (LPU - mm)	Door height TH (mm)
YE55BMD2200NNE	Right	500 - 700	1930 - 2230
YE55BMS2200NNE	Left		
YE55BMD2500NNE	Right	500 - 700	2231 - 2530
YE55B1MS2500NNE	Left		

	n° 2 Euro screws		n° 4/5 Hinges for the fixing of the door n° 4/5 Flange covers n° 8/10 Screws for the fixing of the hinges to the system M5 x 20 UNI 7688 n° 8/10 Screws for the fixing of the hinges to the door 4 x 16 DIN 7505 A
	n° 1 + n° 1 Door extraction dampers		n° 1 Door insertion stopper
	n° 1 Upper front cover		2.5 mt Dust protection brush
	n° 1 Lower front cover		n° 2 Central profile connectors
	n° 2 Spare springs		N° 1 Spacers
	n° 12 Fixing screws for connection plates (screws M4 x UNI)		n° 2 Cam connection plates
	n° 1 Upper track		
	n° 1 Lower track		
	n° 1 Rear bumper		
	n° 1 Magnetic buffer for soft insertion		

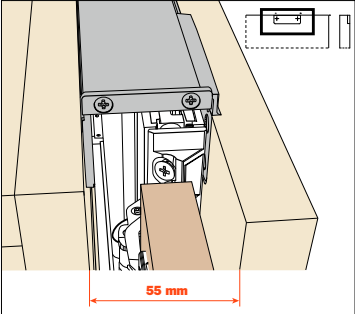
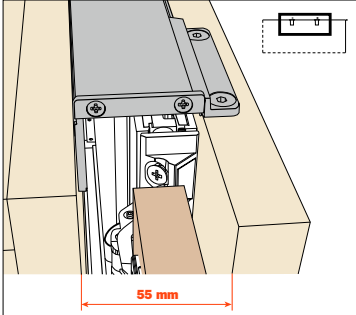
Fully assembled solution according to customer requirements.

The Exedra system is produced according to the dimensional specifications provided by the customer. The customer has only to assemble the mechanism onto the cabinet which is pre-drilled according to the drilling pattern provided.

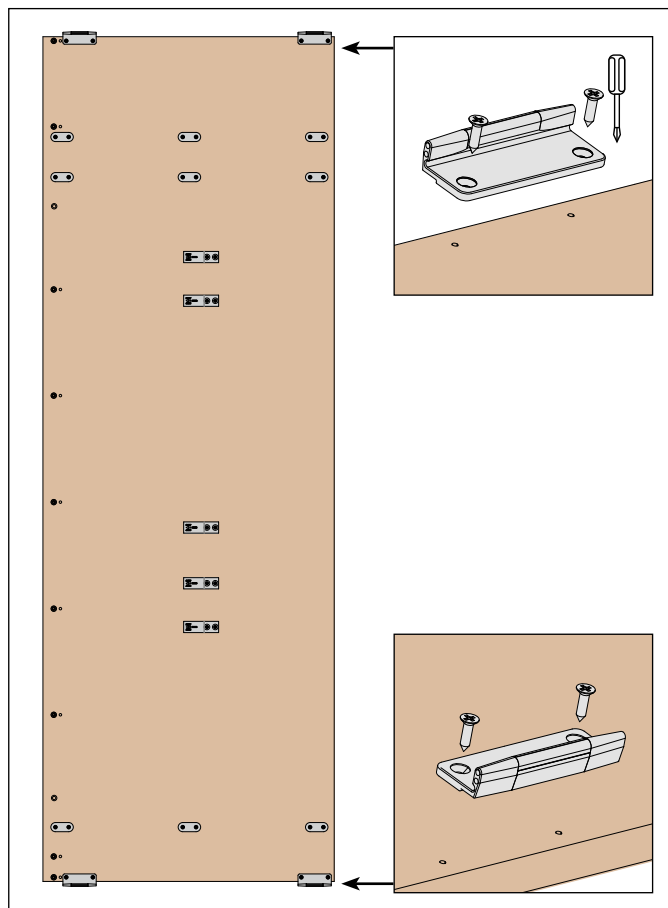
The Euro 32 version enables the mechanism to be screwed directly to the cabinet side through pre-drilled holes in the horizontal sections. Installation and removal require full access to the side of the cabinet.

	<p>n° 1 Upper front cover</p>		<p>n° 4/5 Hinges for the fixing of the door n° 4/5 Flange covers n° 8/10 Screws for the fixing of the hinges to the system M5 x 20 UNI 7688 n° 8/10 Screws for the fixing of the hinges to the door 4 x 16 DIN 7505 A</p>
	<p>n° 1 Lower front cover</p>		<p>2.5 mt Dust protection brush</p>
	<p>n° 2 Spare springs</p>		<p>n° 1 Spacers</p>
		<p>Information required to order a made-to-measure Exedra mechanism.</p> 	

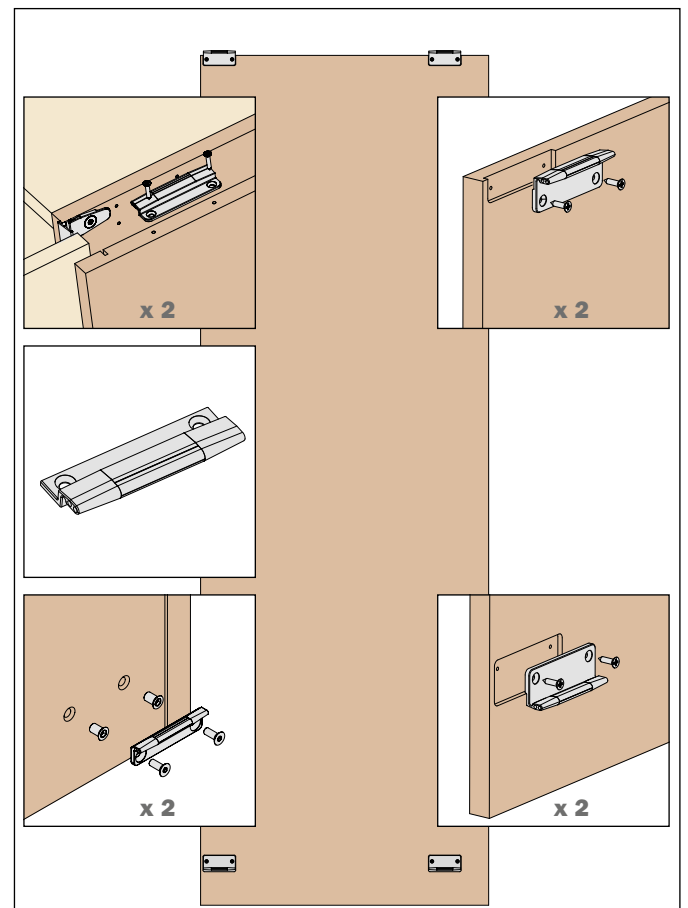
Accessories

Version with milling	Part number	LPS (mm)	Version to be screw-fixed	Part number	LPS (mm)
	YE55KIT0005	400 - 650		YE55KIT0001	400 - 650
	YE55KIT0006	650 - 900		YE55KIT0002	650 - 900

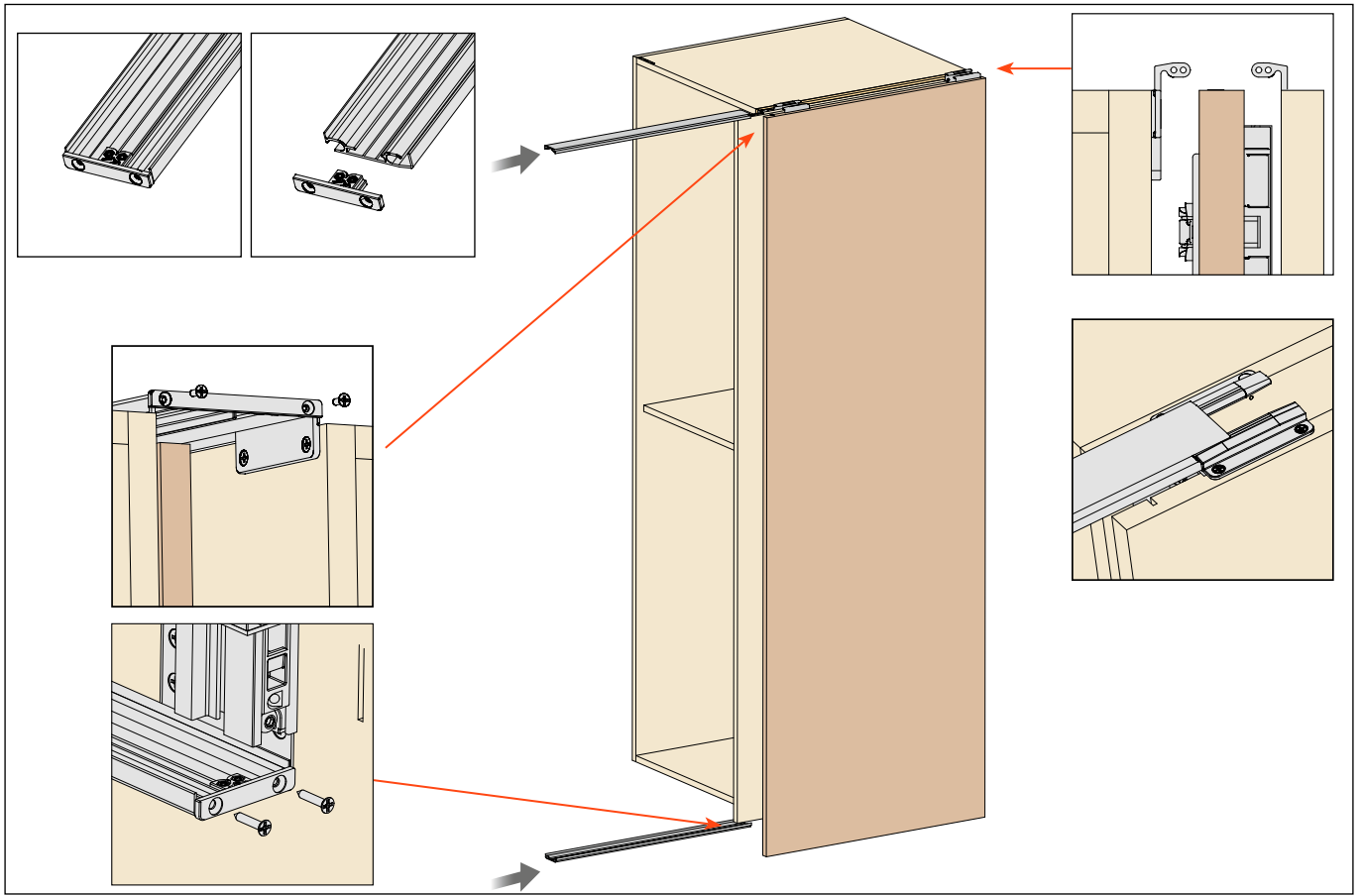
Side fixing. Plates to install the upper and the lower cover.



Top fixing. Plates to install the upper and the lower cover.

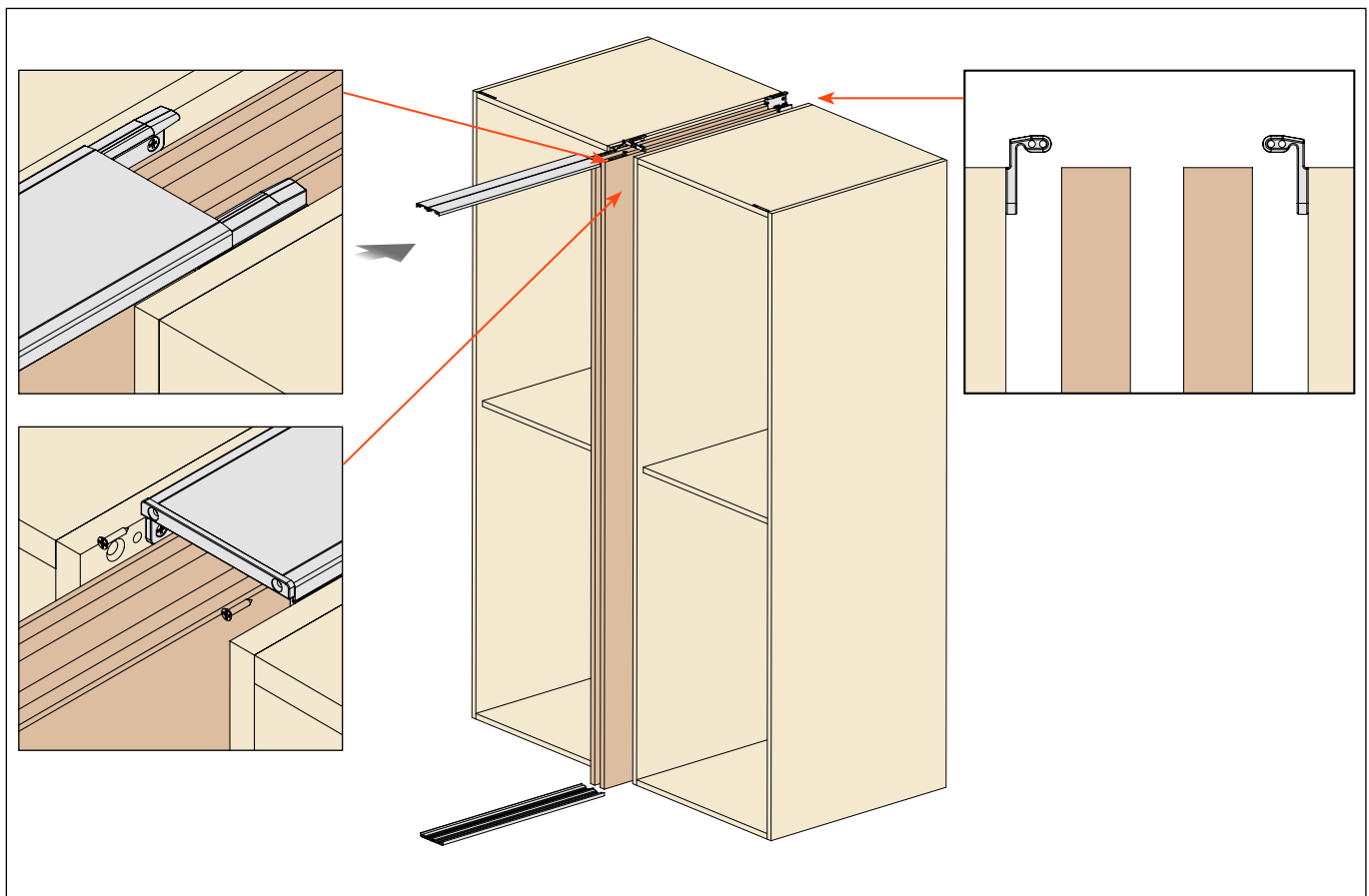
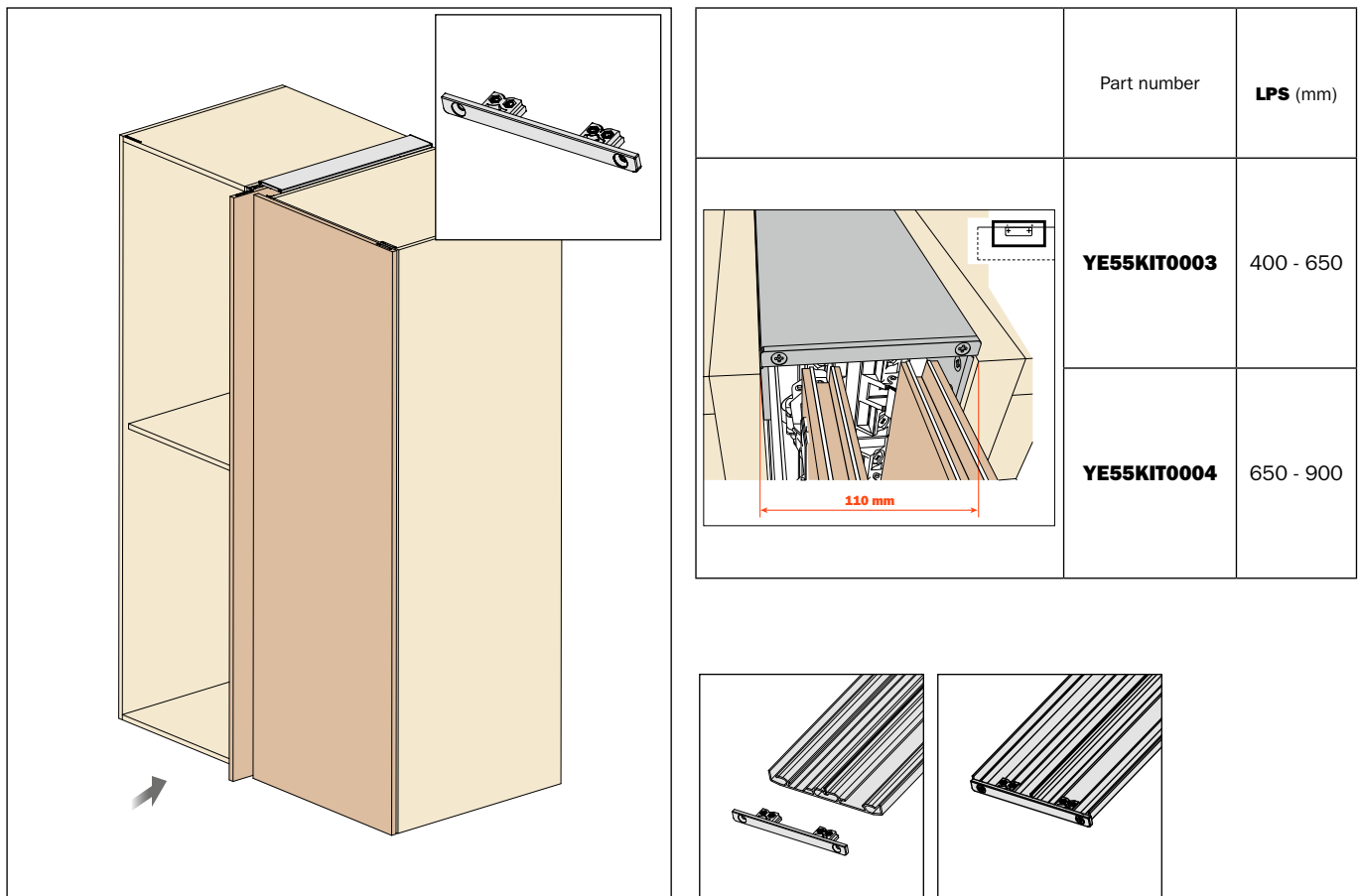


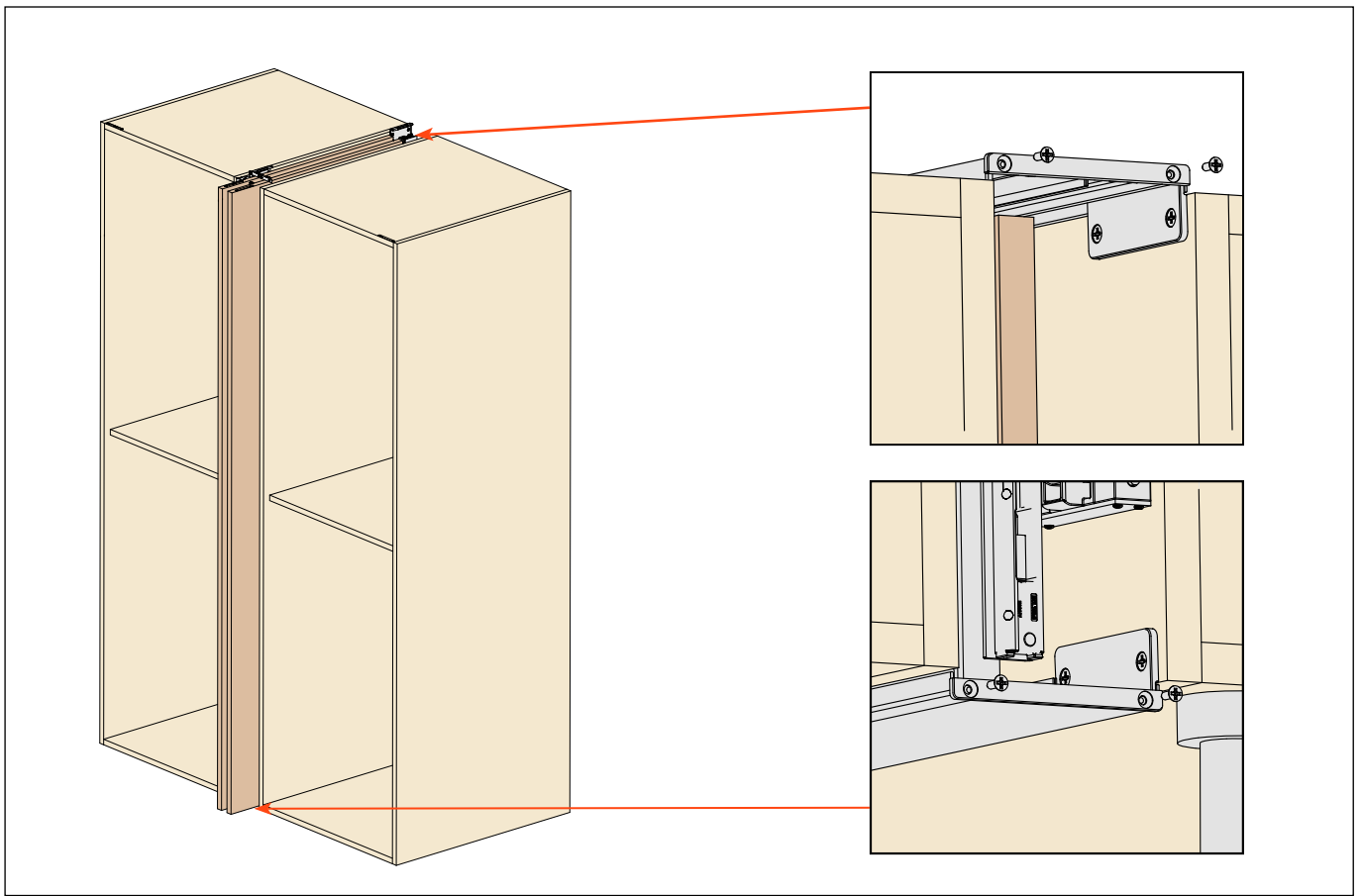
Cut the aluminium cover to length and slide it onto the clips.



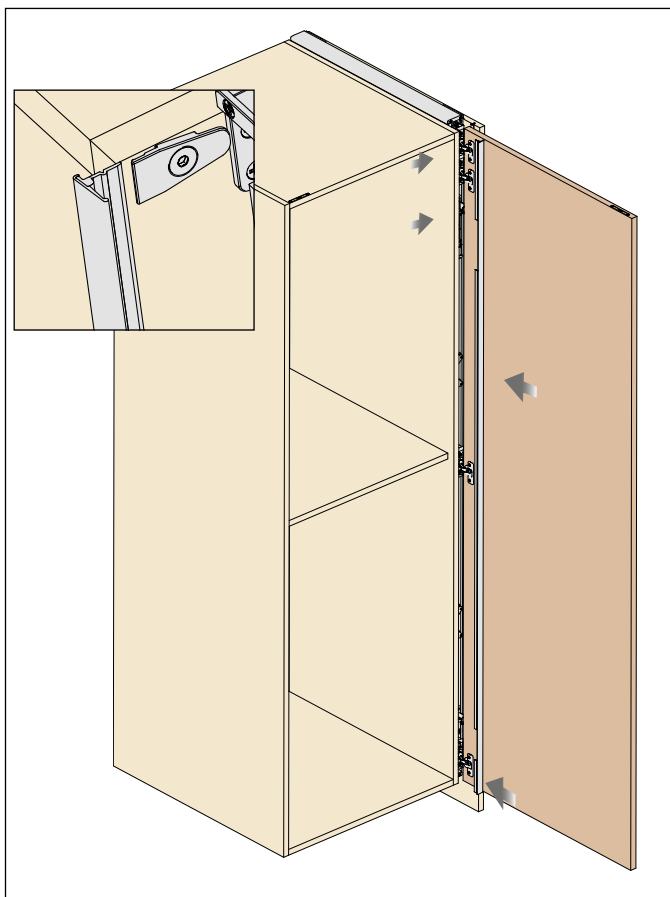
Exedra - Accessories - Connector kits for double-pocket applications for 2 doors

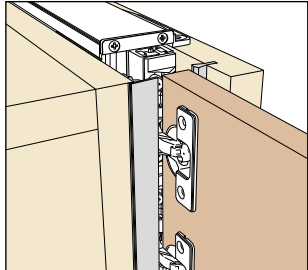



Screw-fix the supports to the cabinet side and insert the track for the doors in the front part of the profile. Cut to length and insert the profile.








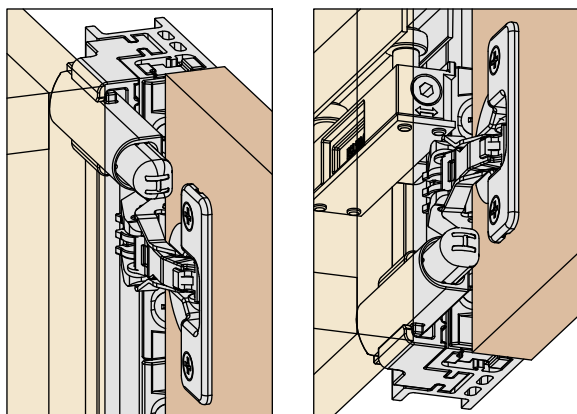
Cut the aluminium cover to length and slide it onto the clips.



	Part number	L (m)	Colours
	YE55KIT0201	2.6	
	YE55KIT0202	2.6	
	YE55KIT0203	2.6	

Smove Damper to be screw-fixed to the profile.
The fixing system does not require any working.

		Part number	pcs.
		YE55KIT0050 • Kit with 2 Smove dampers for doors with 3 hinges	1
		YE55KIT0055 • Kit with 2 Smove dampers for doors with 4 and 5 hinges	1



Supplementary roller guide for aluminium-framed glass doors and framed wooden doors.

The fixing of this component requires additional working.
Please do not hesitate to consult our technical support department for assistance.

Part number	pcs.
VE55KIT0040	1 (Box with 10 pcs.)

