

MAIN FEATURES

App connectivity & user management

Yes

Protection

burglary protection – built to a certified EN 14450 construction – S1 level, Faraday; SS 304 Domestic Safe Sold Secure Silver

Country of origin

Made in Germany

Installation

Easy mounting into 60cm kitchen cabinets

Operation

Simple, fast yet safe access by means of fingerprint sensor

Colour

Standard colour RAL 9010 pure white with a smooth finish

Standard inlay

Grey felt mat

PHYSICAL PROPERTIES

Overall packaging dimensions (WxDxH)

600 x 550 x 200 mm

Case dimensions (WxDxH)

555 x 492 x 124 mm

Wooden front dimensions (WxDxH)

560 x 10 x 134 mm

Support flanges dimensions (WxDxH)

380 x 2 x 130 mm

Drawer inner dimensions (WxDxH)

515 x 392 x 80 mm

Inner volume

16 litres

Case weight

26 kg

Drawer weight

13 kg

Case material

4mm housing with 4mm stainless steel front; reinforced with manganese plates

MECHANICAL PROPERTIES & FUNCTIONALITY

Soft close function

Yes (Blumotion)

Automatic lock when closing

Yes

Durability testing

over 25.000 life cycles (opening & closing)

Time to open

under 2 seconds

Runner System

Yes (Blum Movento)

ELECTRONICAL COMPONENTS & CONNECTIONS

Power lead to mains

230V/ 9v, 1,2m cord length, connected at bottom rear of case

Power plug

EU or UK

Connector between case and drawer

to be connected using screw driver after securing case and sliding drawer into it

Fingerprint sensor

Capacitive sensor; IPx7; Verification time: 0.4 seconds

In the event of a power cut

9v battery can be connected for short time use at bottom of case by user, data is not erased

Reset function

Press the red button on the casing under the drawer

SECURITY FEATURES

Safety standards

built to a EN 14450 – S1 standard; Sold Secure Silver level

Locks

Prime locks certified to ECB-S Class B and VDS Class 2

Faraday protection

protection against data theft at a distance > 10cm

Code and key encryption

storage in a safe hardware unit (HSM)

Software & fingerprint sensor testing

Orange Cyberdefence in Malmö (Sweden)

Fire protection

No

APP FUNCTIONS & FEATURES

Connectivity

Wi-Fi and Bluetooth

Users per safe

2 (free version) up 50 (subscription version)

Alternative user interface

Yes

User permission rights storage

Yes

Users administration & monitoring

Yes

Factory default settings

Free opening by any fingerprint

Activity log

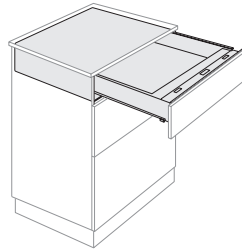
2 weeks activity log (free version) up to 24 months (subscription version)

Item inventory and activity log

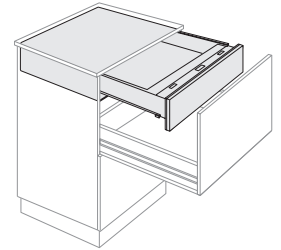
subscription version only

INSTALLATION OPTIONS

Single drawer undercounter



Drawer-in-drawer

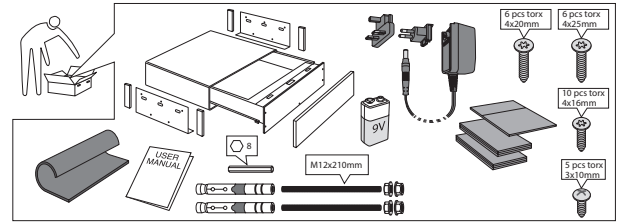


The mounted wooden front is supposed to be flush-fitted with the cabinet

INSTALLATION STEPS

Unpacking

without turning box upside down, extract from the box, cutting the corners if needed

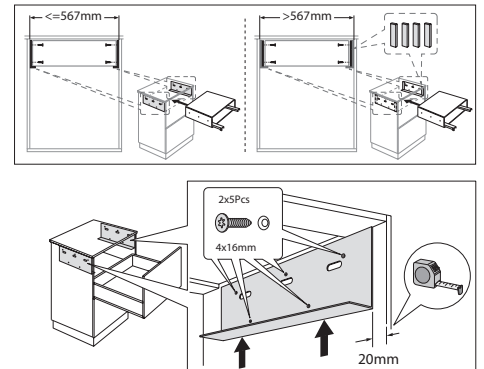


Preparing

place appliance on flat surface and extract drawer from case (2 people needed)

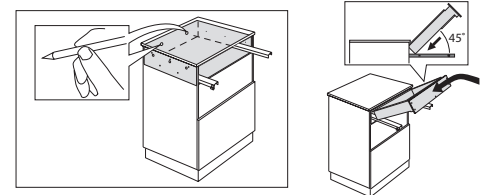
Fixing of case to cabinet side panels

via x2 support flanges screwed onto the side panels (20 mm from edge for drawer-in-drawer)



Drilling and anchoring to kitchen wall

via x2 12mm adjustable fixing bolts, once the case has been pushed onto the supports



Connecting

