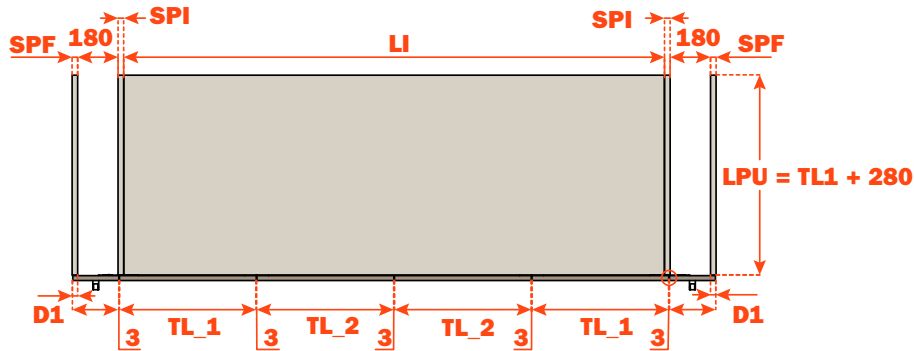
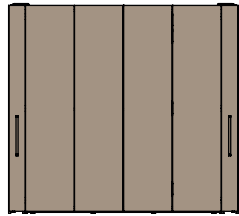
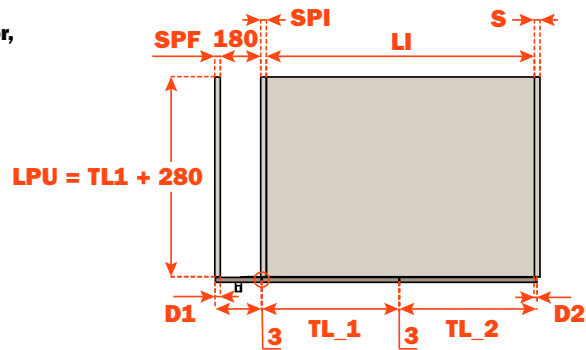
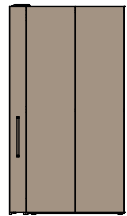


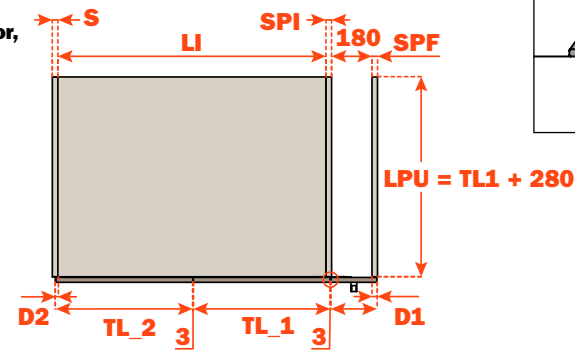
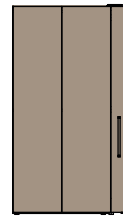
Double doors, left + right



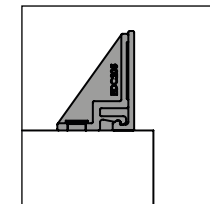
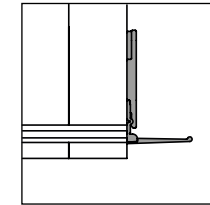
Single door, left



Single door, right



Finish of the front and side cover strips



Maximum weight of both doors, recess cover panel and handle = 50 Kg

LHT	Total height of cabinet (mm)	
SPC	Thickness of top panel (mm)	
LHI	Internal height of cabinet (mm)	
SPB	Thickness of bottom panel (mm)	
LI	Total internal width of cabinet (mm)	
S	Thickness of side panel (mm)	
SPI	Thickness of central panel (mm)	
TH	Height of door (mm) • max 2600 mm	
TL1	Width of internal door • min 450 mm - max 750 mm	
TL2	Width of external door • min 450 mm - max TL1 + 90 mm	
T	Thickness of door (mm) • min 18 mm - max 25 mm	
D1	Coverage on external side panel (mm)	
D2	Coverage on side panel - only for single mechanism (mm)	
LPU	Usable internal depth of cabinet • min = TL1 + 280 mm	
	Presence of external side panel	
SPF	Thickness of external side panel (mm)	

Contact name

Company

Date

Project

Notes

