



SIGE S.p.A.
60020 Polverigi (AN) ITALY
tel +39 071 90 90 000 r.a.
fax +39 071 90 90 804
www.sige-spa.it
info@sige-spa.it



DESIGN



PASSIONE
PASSION

Certified Integrated Systems
ISO 9001 • ISO 14001 - OHSAS 18001 • SA 8000

FoIST00030

Rev. 01.2014

Made in Italy

Art 590

Grass slides

Product

- Laundry Bin 53 L
- Solid base pull-out basket with full extension slides and soft closing.

Parts

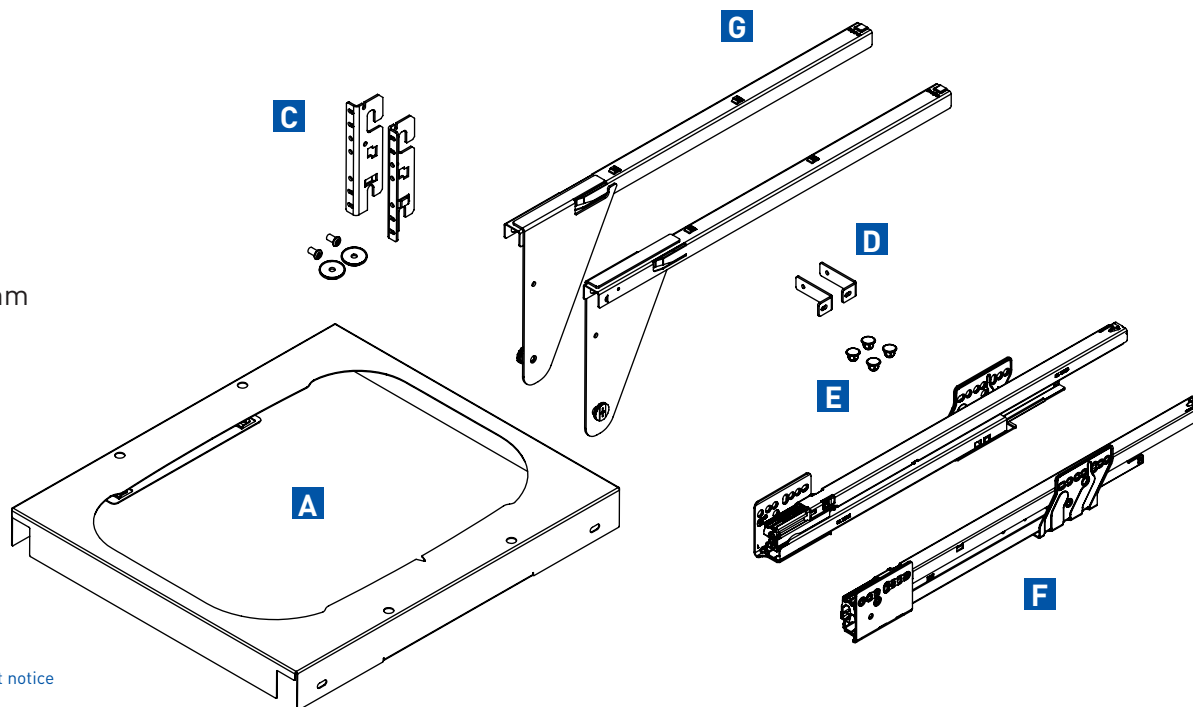
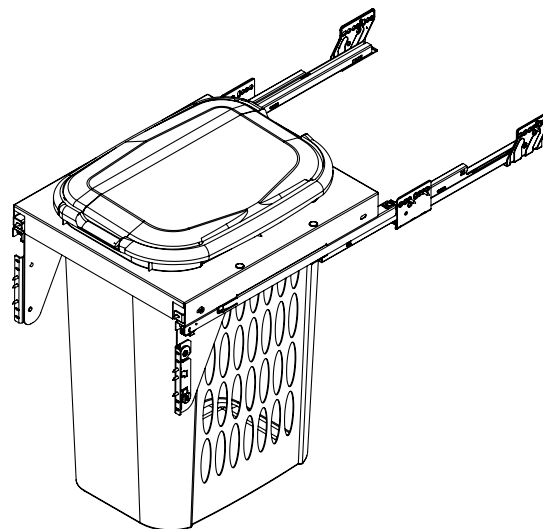
- A.** Frame
- B.** Bin 53 Lt
- C.** Door bracket
- D.** Metal Bracket
- E.** Cap
- F.** Slides
- G.** Cover

Tools

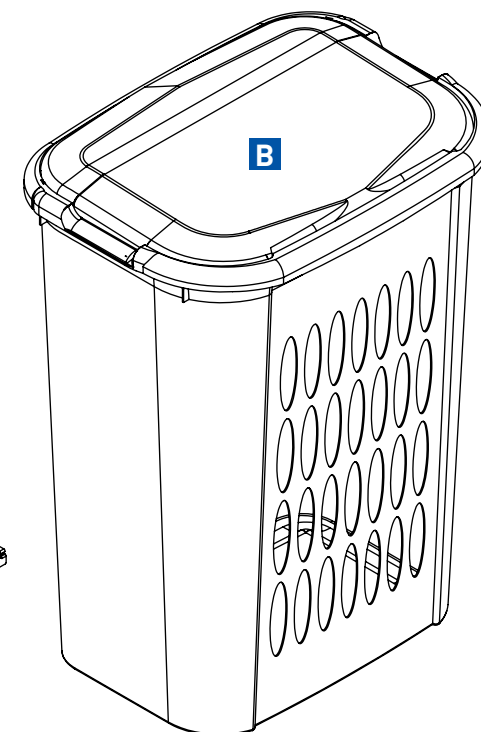


Fittings

- N°8 Self-tapping screws 4x16 mm
- N°12 Cap Screws 4x13mm
- N°2 M5x8 mm
- N° 4 M4x5 mm
- N°2 M6x10 mm

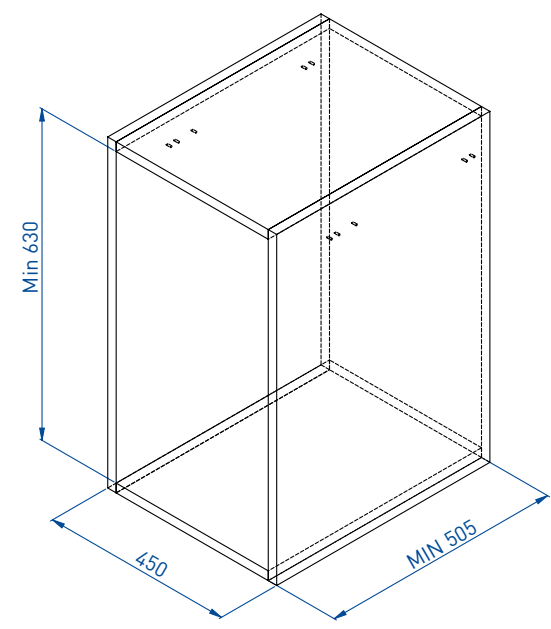
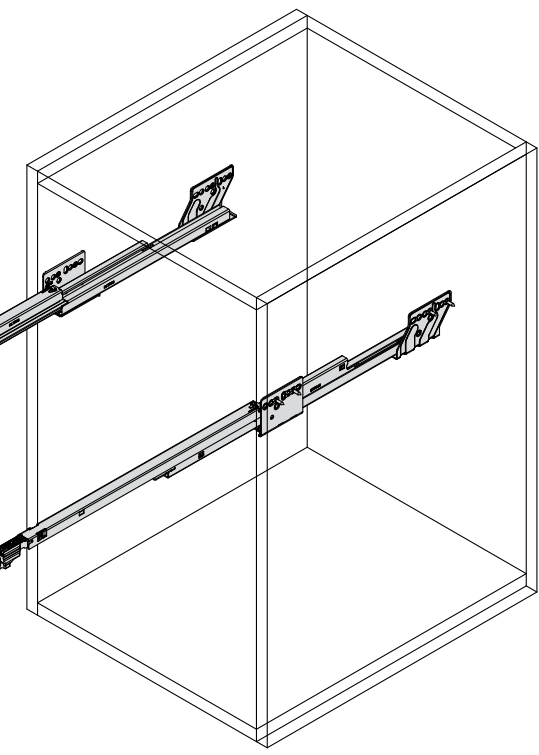
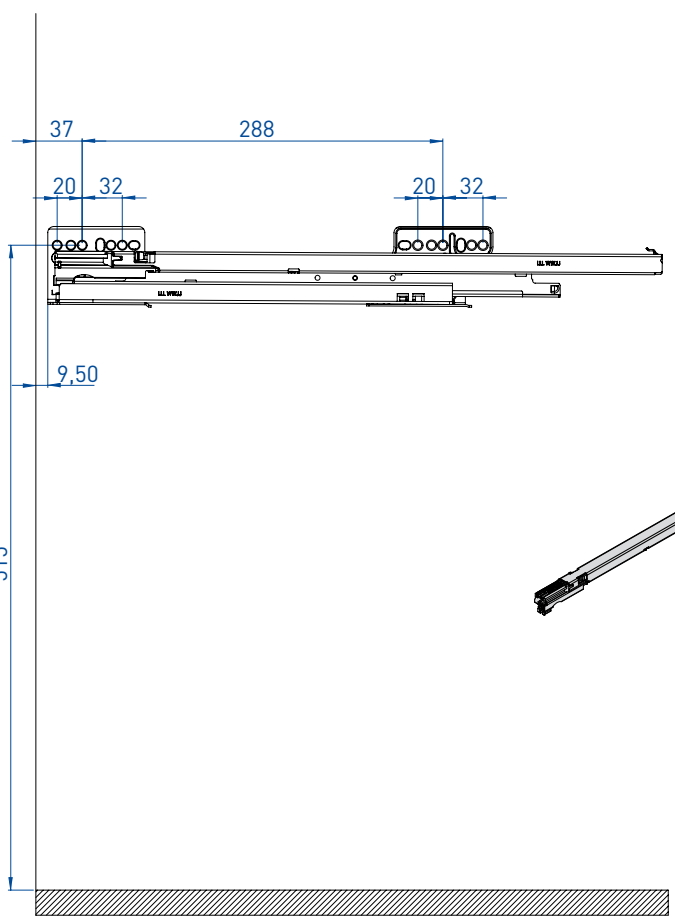
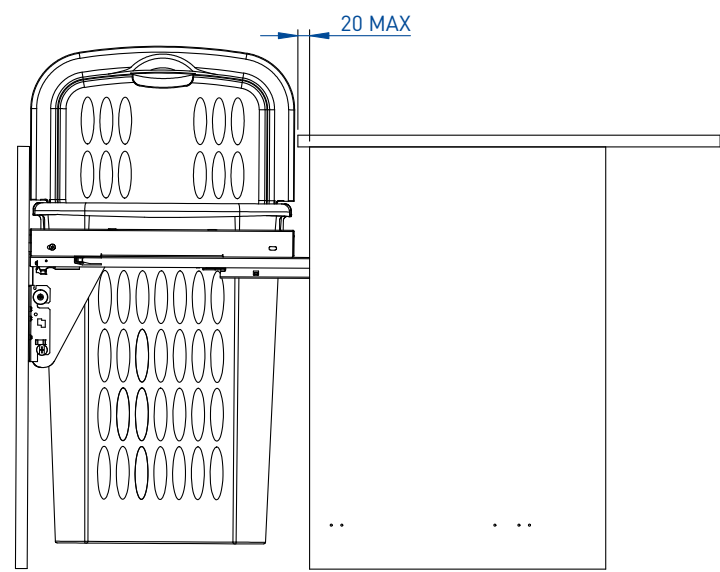


Per info riguardo il montaggio rivolgersi alla SIGE Spa



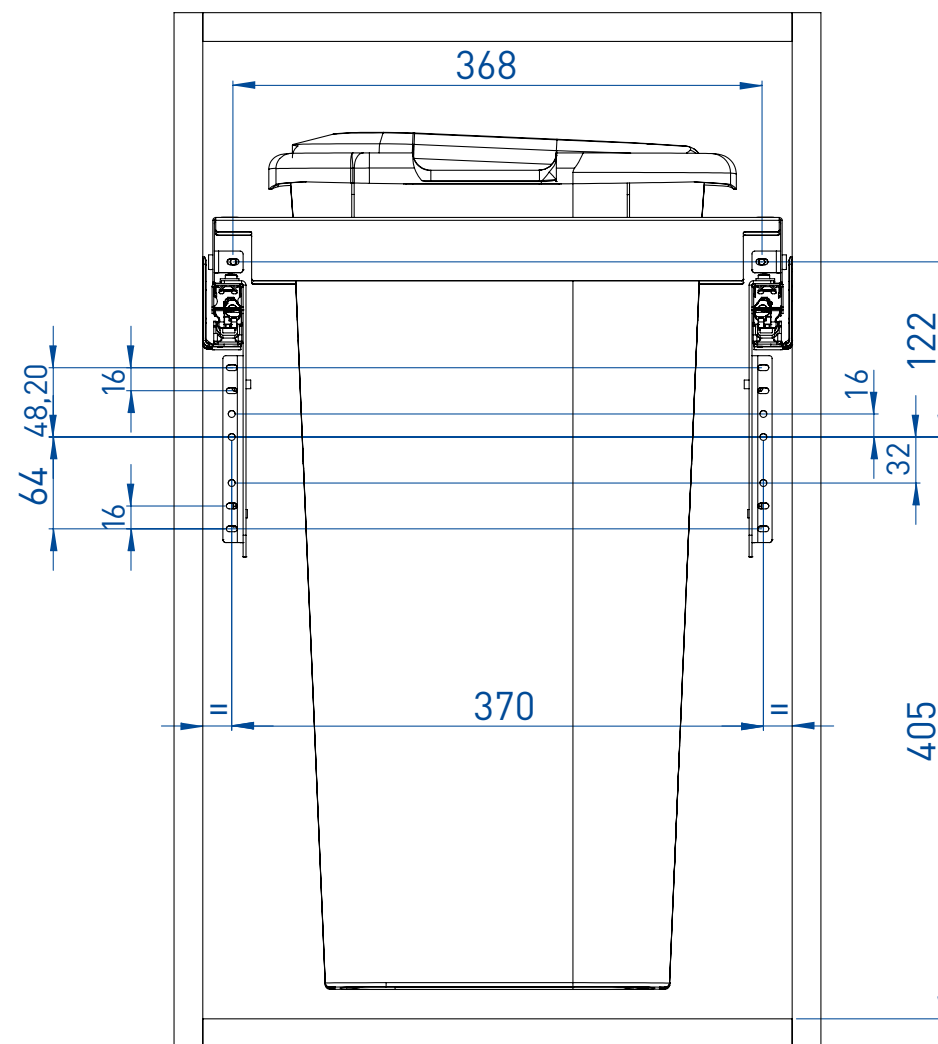
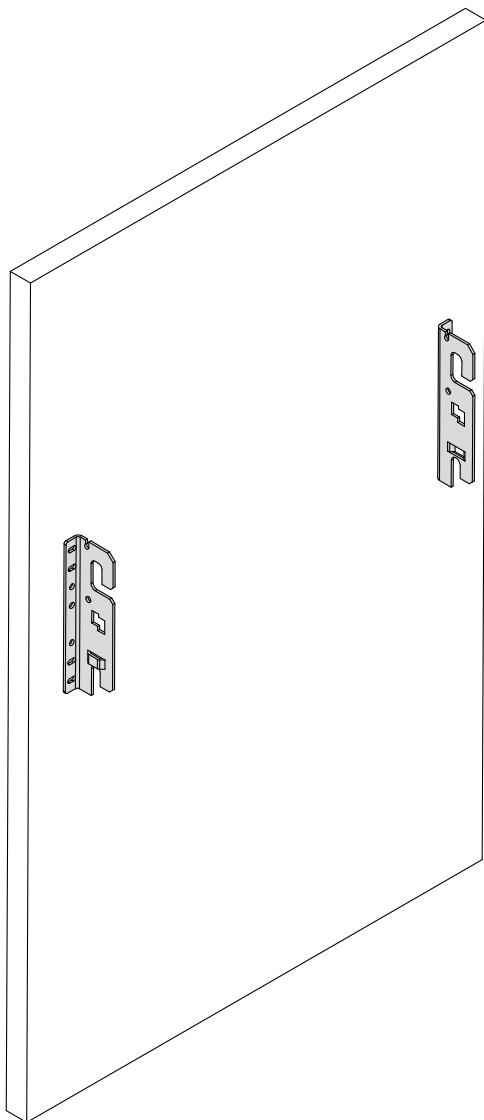


Place slides F respecting showed data and screw them on the cabinet's sides, using 4x16 screws.

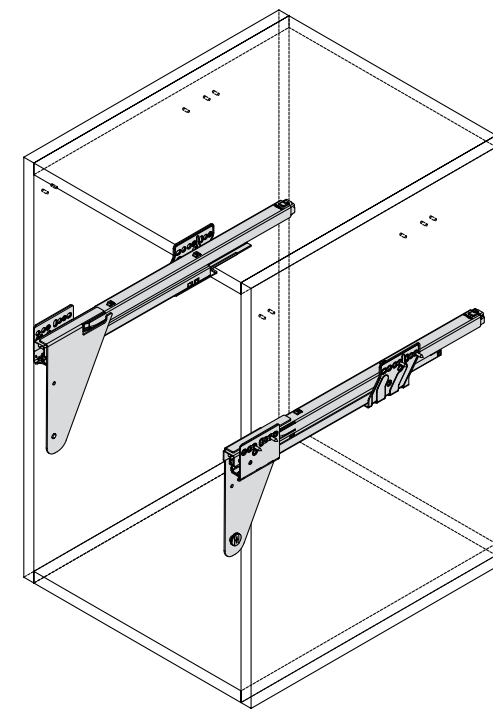
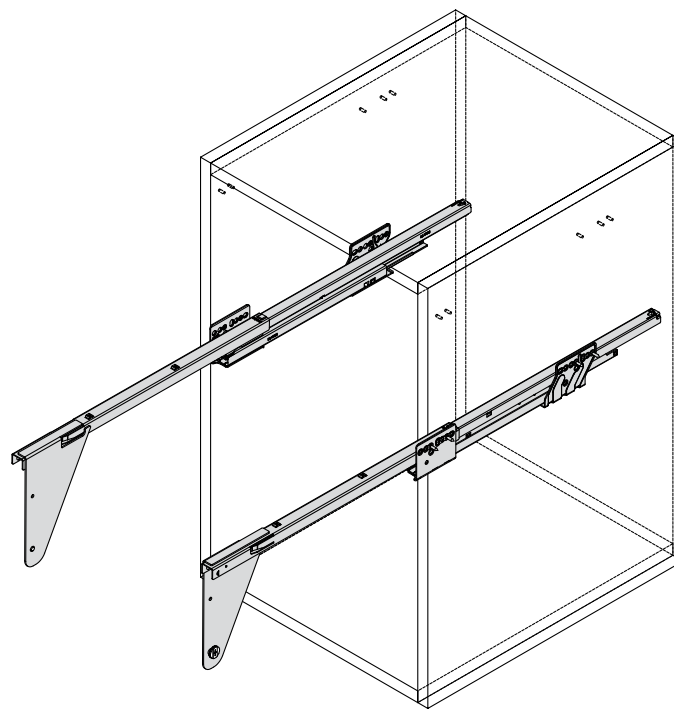
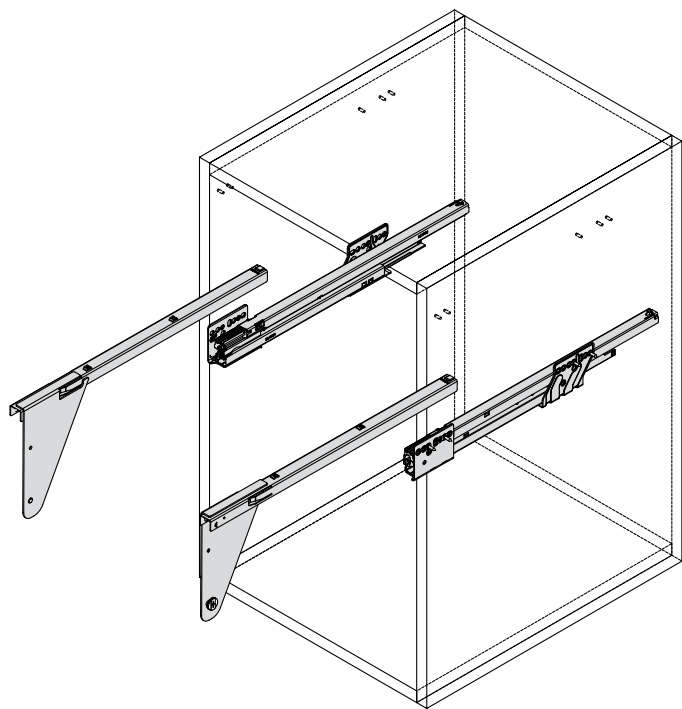




Screw C brackets on the door respecting showed data, using 4X13 screws.



Fix the cover G in the slides F.



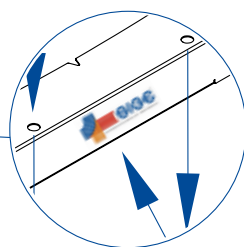
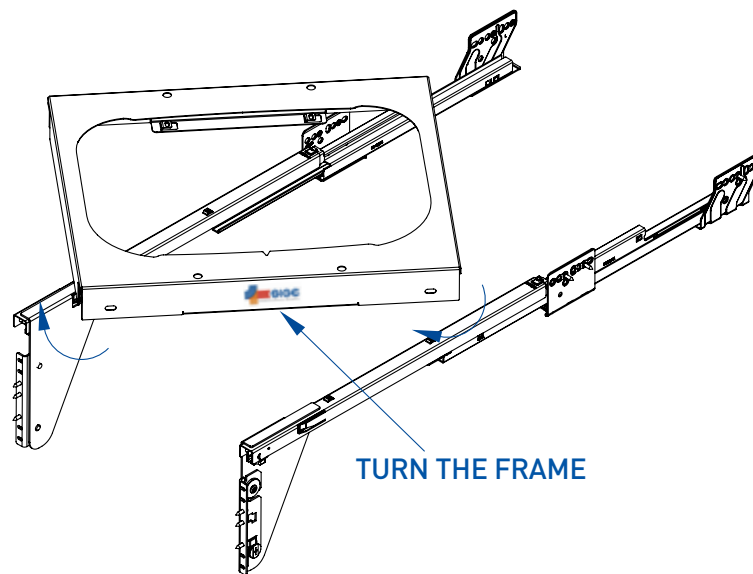
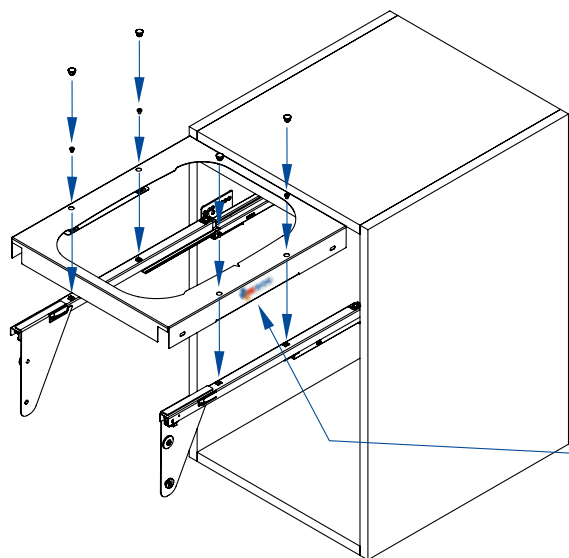
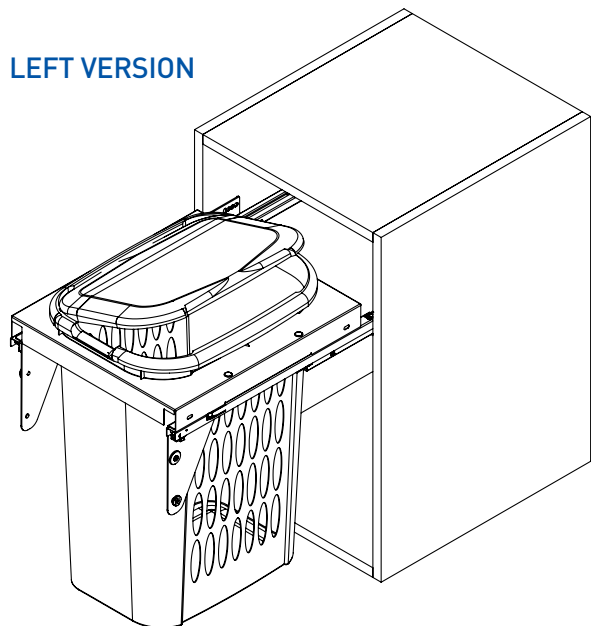
Right version

N°4 M4x5

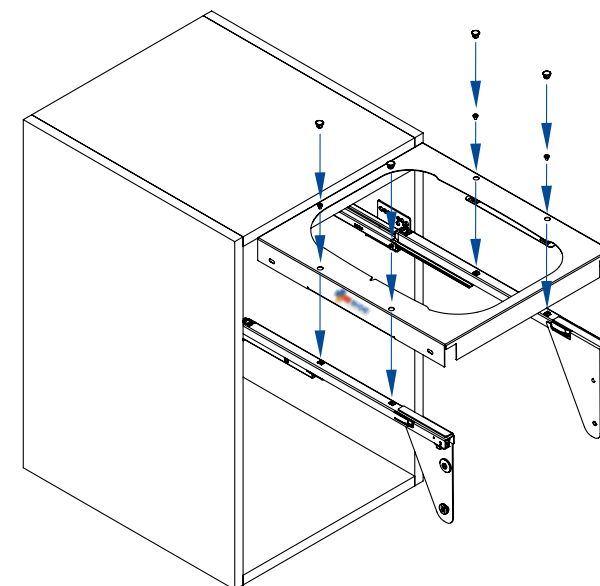
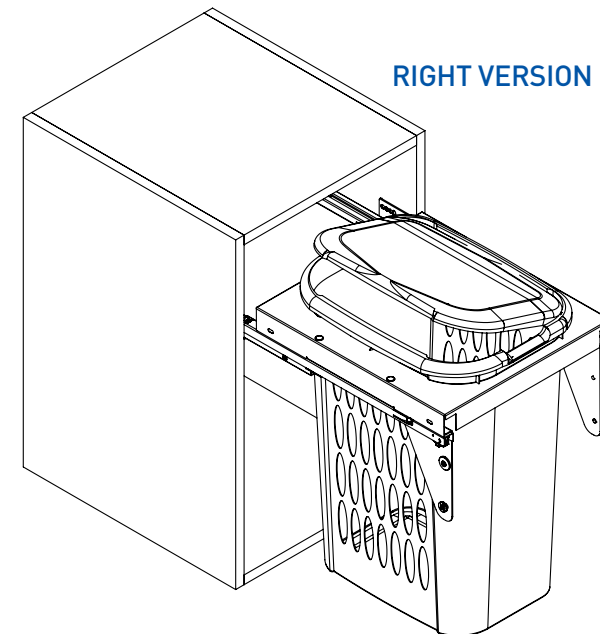


Choose the version, assembly the frame A using M4x5 screws and put n°4 plastic cap E in the holes.

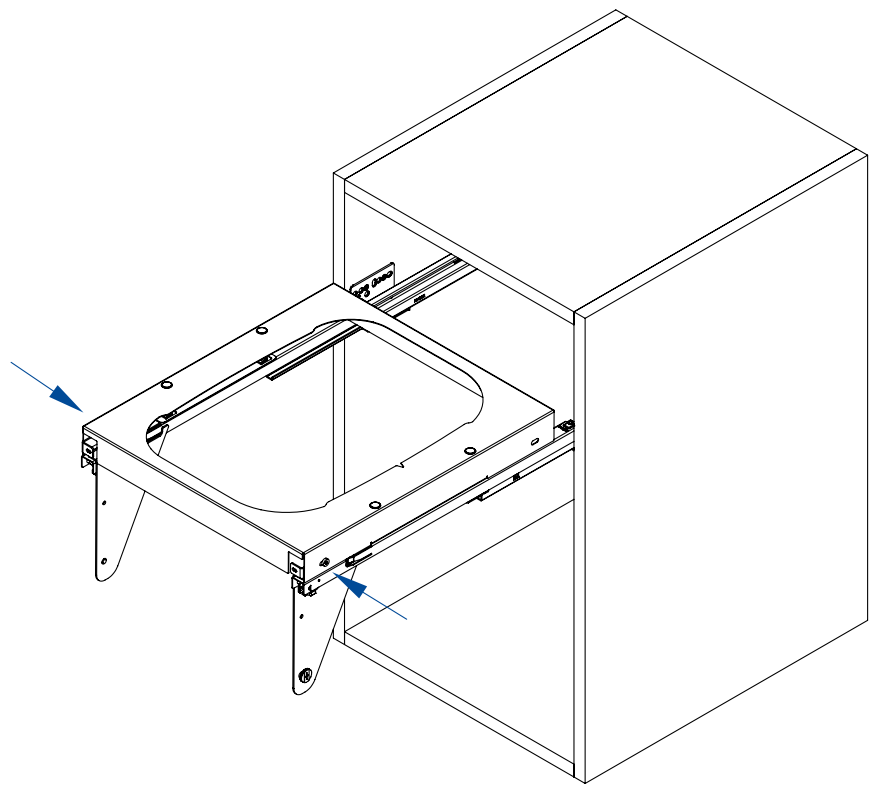
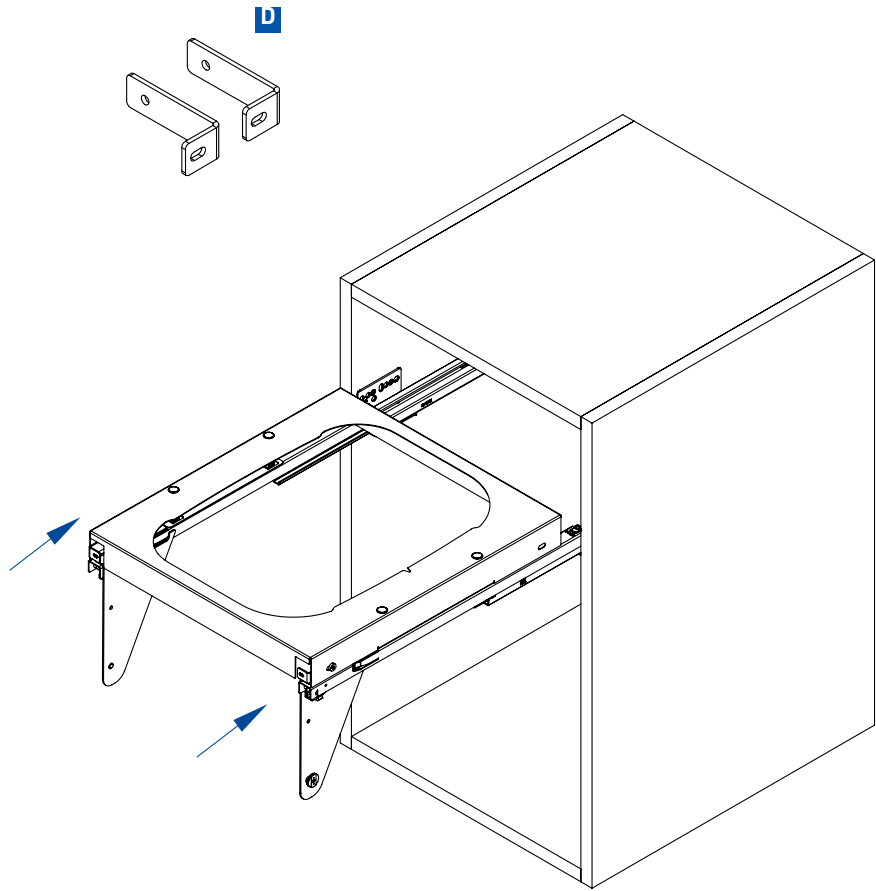
LEFT VERSION



RIGHT VERSION

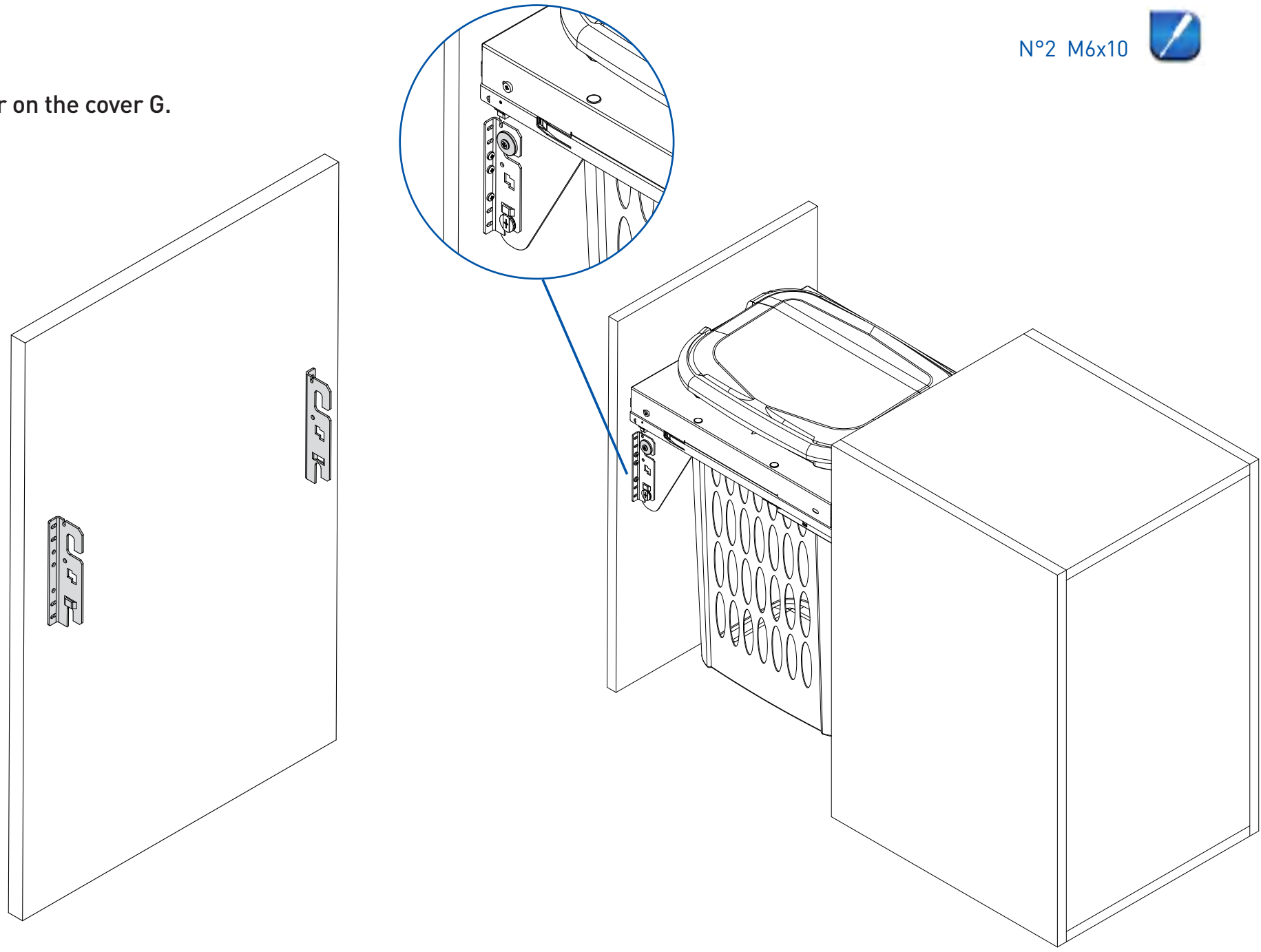


Fixing D brackets in A frame using M5x8 screws



N°2 M6x10 

Fixing door on the cover G.



Fixing brackets D on the door, using 4X13 screws.

Make adjustments.

